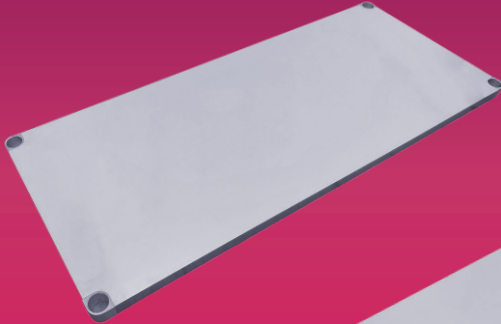


Additional Undershelves

Model No.

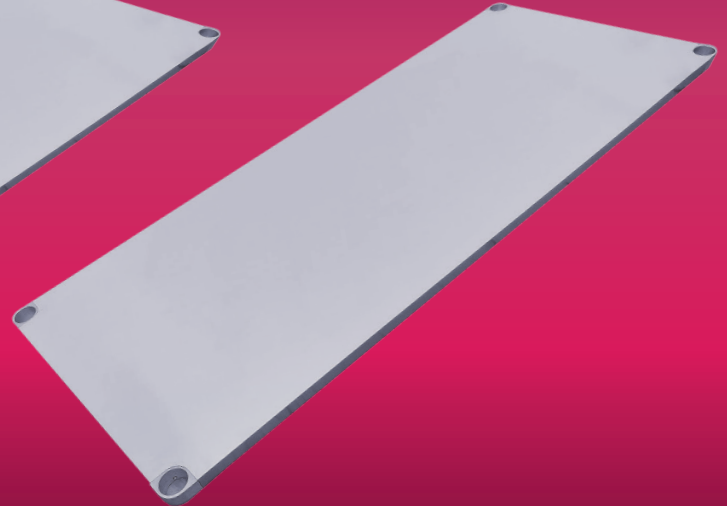
UTSF-3048 / 3060 / 3072



UTSF-3048



UTSF-3060



UTSF-3072

Features:

- 18 Gauge 430 stainless undershelf with aluminum die cast clamps

Warranty Info:

- See Last Pages



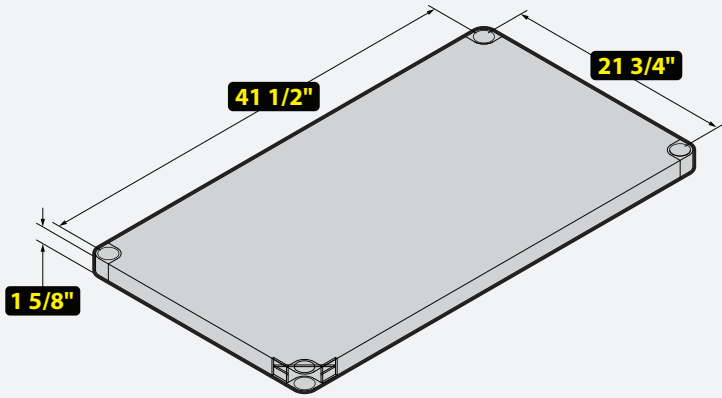
Revised

04/23/2024

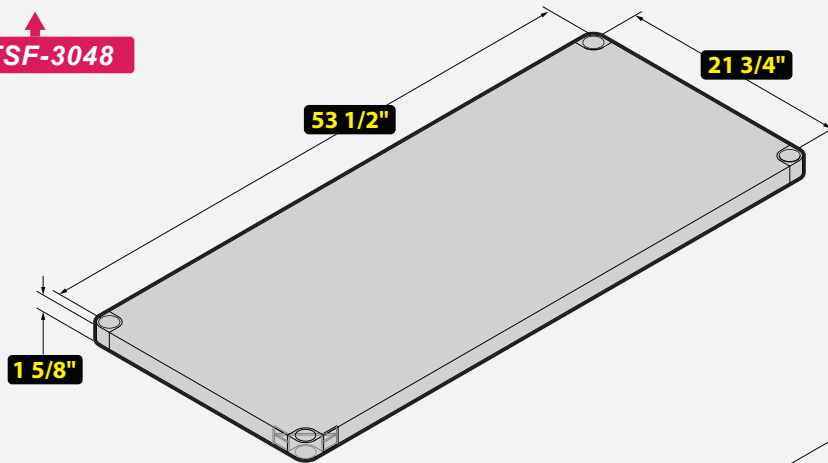


UTSF-3048
UTSF-3060
UTSF-3072

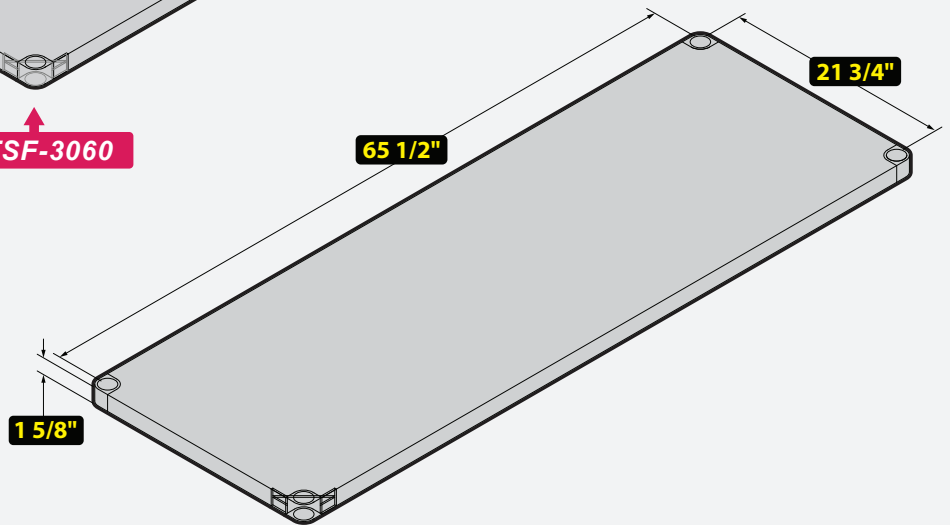
www.servware.com
Phone:(800).768.5953
Fax:(800).976.1299



UTSF-3048



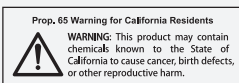
UTSF-3060



UTSF-3072

Isometric View

MODEL #	DIMENSIONS (D x W x H)	Fits Table Sink#	WEIGHT/LBS. (Shipping)
UTSF-3048	21 ³ / ₄ " W x 41 ¹ / ₂ " D x 1 ⁵ / ₈ " H	TSF-3048	17 lbs.
UTSF-3060	21 ³ / ₄ " W x 53 ¹ / ₂ " D x 1 ⁵ / ₈ " H	TSF-3060	20 lbs.
UTSF-3072	21 ³ / ₄ " W x 65 ¹ / ₂ " D x 1 ⁵ / ₈ " H	TSF-3072	27 lbs.



Phone:(800).768.5953
 Fax:(800).976.1299

All Serv-Ware Work Tables, Overshelves, Guards, Cutting Board Kits, & Equipment Stands

Notify carrier of damage! Inspect all components immediately.

Serv-Ware Products warrants to the original owner/user that any product manufactured shall be free of defects in material or workmanship, under normal use and maintenance, for a period of one (1) year from the original installation date or a maximum of eighteen (18) months after the shipment date from Serv-Ware Products. Proper installation and start-up in accordance with the instruction manual supplied will be taken into consideration when evaluating the warranty on the specified equipment.

This warranty does not include labor charges. Serv-Ware Products reserves the right to have any warranty "failed" parts returned to the factory for inspection before agreeing to covering the above stated warranty.

This warranty does not include parts coverage resulting from:

- Adverse operating conditions for the product.
- Failure to clean and/or maintain the product.
- Standard wear & tear items.
- Damage that is caused by employees or customers.
- Any part or assembly that has been altered, modified, or changed.
- Equipment usage in a residential or non-commercial setting.

LIMITATION OF LIABILITY AND OTHER WARRANTIES

Serv-Ware Products assumes no liability for misuse or inadequate maintenance of the Product. In no event shall the user be entitled to recover incidental or consequential damages. Including but not limited to; damages for inconvenience, food loss, rental or replacement equipment, loss of profits, or other commercial loss.

Warranties stated above are the only warranties made in connection with the sale and distribution of the Products. ANY AND ALL OTHER EXPRESSED STATUTORY AND IMPLIED WARRANTIES APPLICABLE TO THE PRODUCT INCLUDING, WITHOUT LIMITATION, ALL IMPLIED WARRANTIES OF MERCHANTABILITY AND FITNESS FOR USE ARE EXPRESSLY DISCLAIMED. The warranty information set forth above shall be governed by and construed in accordance with the laws of the State of North Carolina and, if applicable, the laws of the United States of America. The warranty, as stated, is extended only to the original owner/user and is not assignable. Serv-Ware reserves the right to change product specifications without notice due to constant product improvement.