

Overshelf for Work Tables

Stainless Steel
18 Gauge

Model No.

OS-3E-CWP



Additional Sizes

- OS-3E-CWP
- OS-4E-CWP
- OS-5E-CWP
- OS-6E-CWP

← **OS-3E-CWP**
*Shown Here

Features:

- 18 Gauge, Stainless Steel

Warranty Info:

- See Last Page



Revised → 04/17/2024

OS-3E-CWP

- OS-3E-CWP
- OS-4E-CWP
- OS-5E-CWP
- OS-6E-CWP

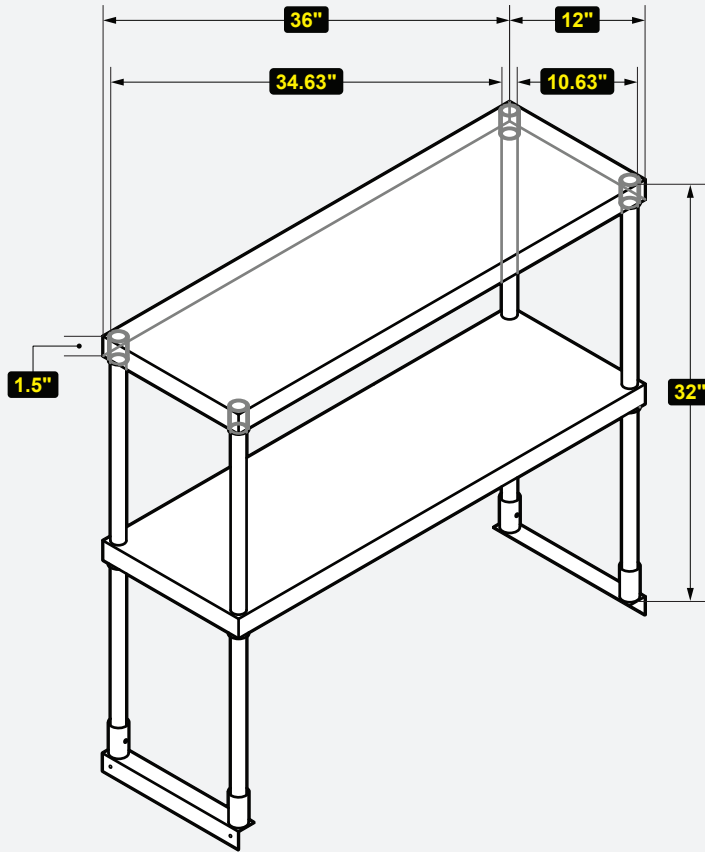


www.servware.com

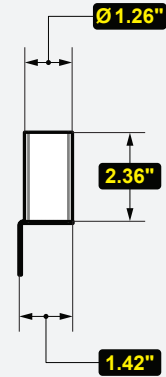
Phone:(800).768.5953

Fax:(800).976.1299

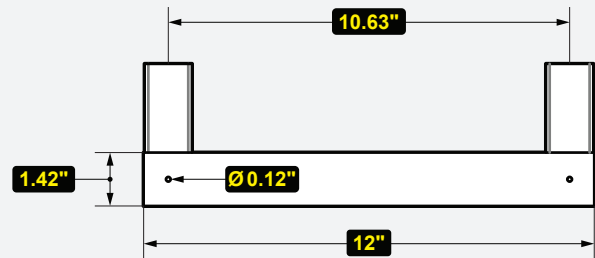
Isometric View



Socket Front View



Socket Side View



MODEL #	DESCRIPTION	DIMENSIONS (W x D x H)	WEIGHT/LBS. (Shipping)
OS-3E-CWP	18 Gauge S/S	36" W x 12" D x 32" H	18 lbs.

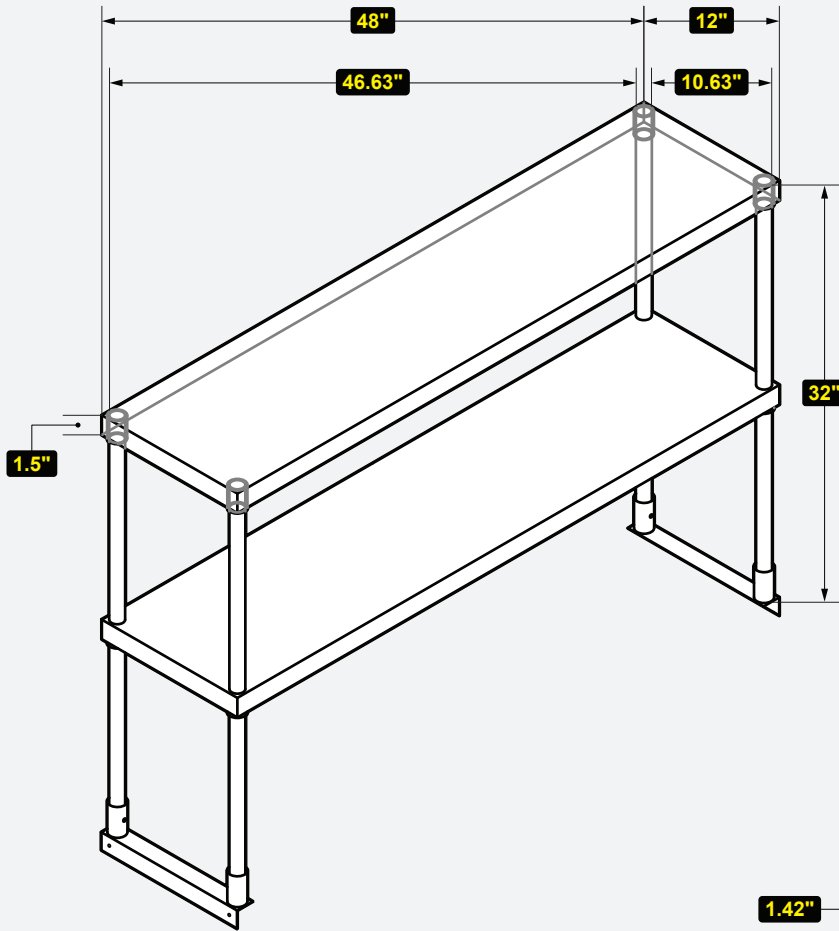


Prop. 65 Warning for California Residents
 WARNING: This product may contain chemicals known to the State of California to cause cancer, birth defects, or other reproductive harm.

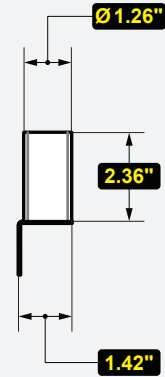


Phone:(800).768.5953
 Fax:(800).976.1299

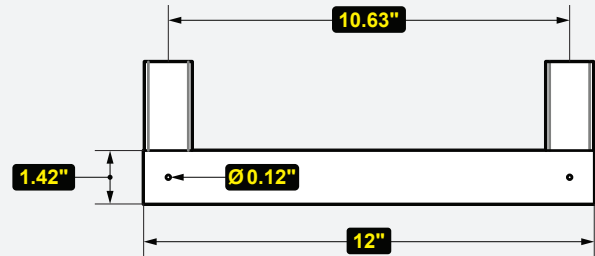
Isometric View



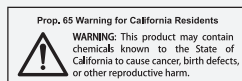
Socket Front View



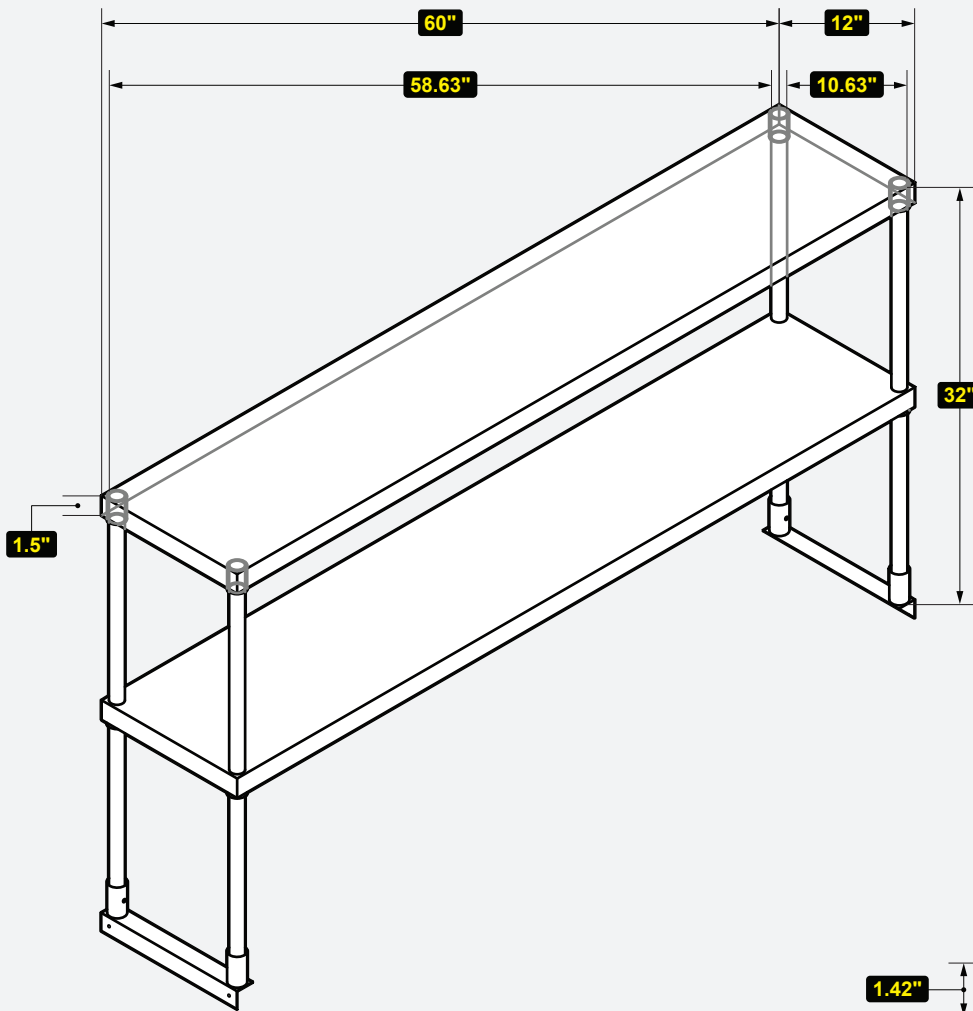
Socket Side View



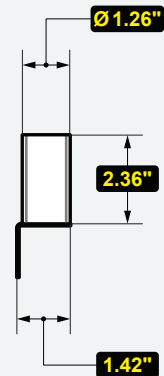
MODEL #	DESCRIPTION	DIMENSIONS	WEIGHT/LBS.
		(W x D x H)	(Shipping)
OS-4E-CWP	18 Gauge S/S	48" W x 12" D x 32" H	24 lbs.



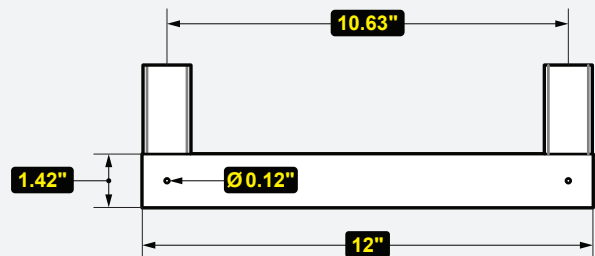
Isometric View



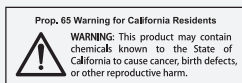
Socket Front View



Socket Side View

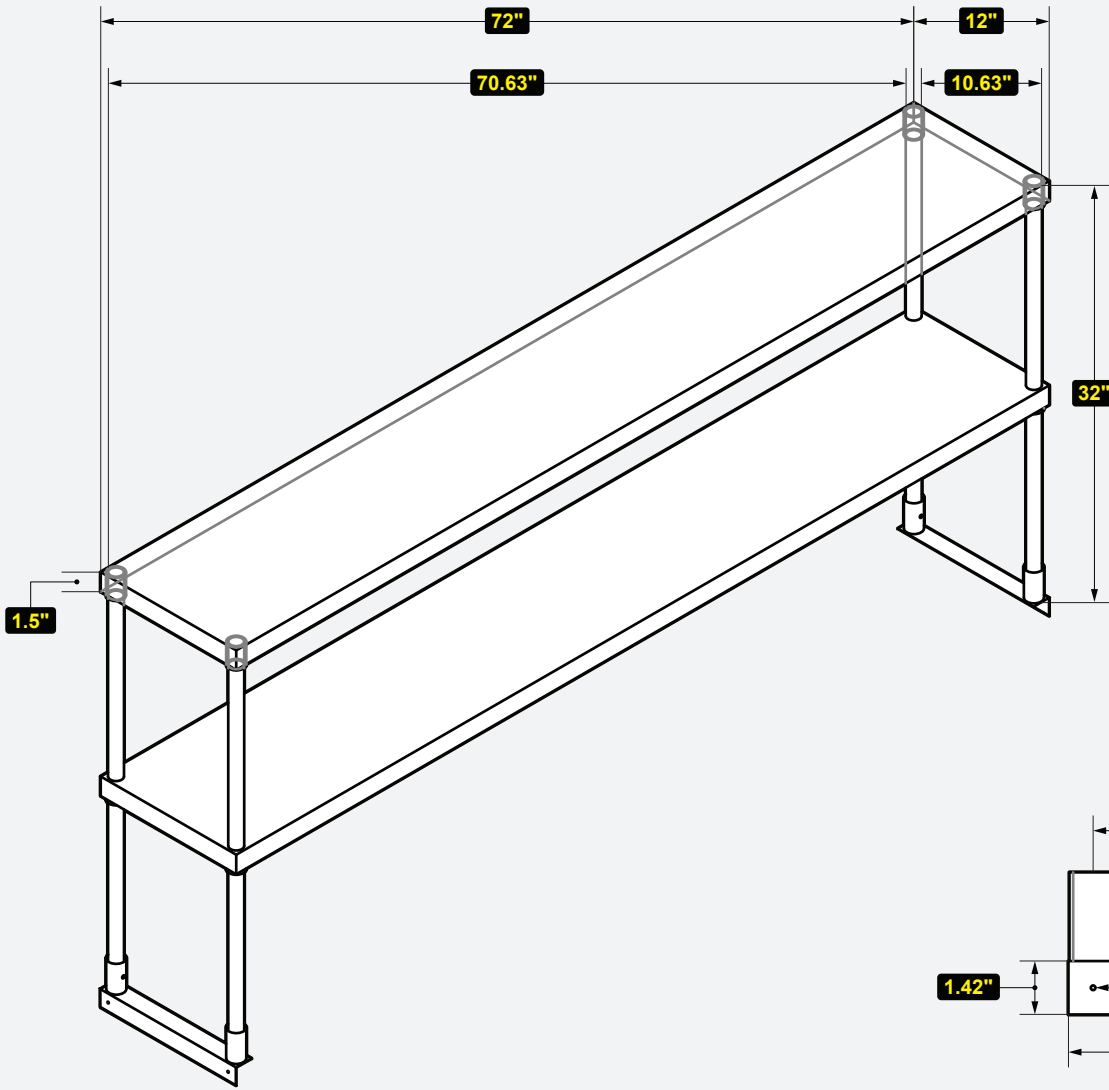


MODEL #	DESCRIPTION	DIMENSIONS (W x D x H)	WEIGHT/LBS. (Shipping)
OS-5E-CWP	18 Gauge S/S	60" W x 12" D x 32" H	30 lbs.

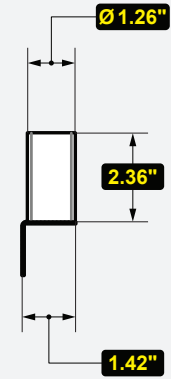


Phone:(800).768.5953
 Fax:(800).976.1299

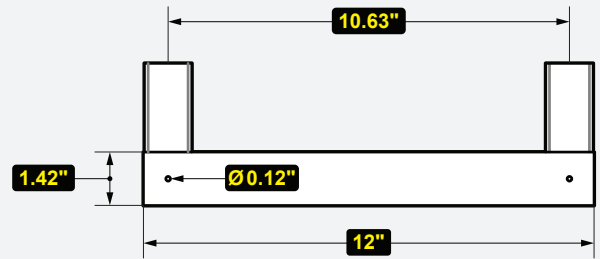
Isometric View



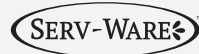
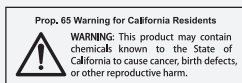
Socket Front View



Socket Side View



MODEL #	DESCRIPTION	DIMENSIONS (W x D x H)	WEIGHT/LBS. (Shipping)
OS-6E-CWP	18 Gauge S/S	72" W x 12" D x 32" H	36 lbs.



Phone:(800).768.5953
 Fax:(800).976.1299

Copyright © 2024 Serv-Ware Products LLC.

www.servware.com

All Serv-Ware Work Tables, Overshelves, Guards, Cutting Board Kits, & Equipment Stands

Notify carrier of damage! Inspect all components immediately.

Serv-Ware Products warrants to the original owner/user that any product manufactured shall be free of defects in material or workmanship, under normal use and maintenance, for a period of one (1) year from the original installation date or a maximum of eighteen (18) months after the shipment date from Serv-Ware Products. Proper installation and start-up in accordance with the instruction manual supplied will be taken into consideration when evaluating the warranty on the specified equipment.

This warranty does not include labor charges. Serv-Ware Products reserves the right to have any warranty "failed" parts returned to the factory for inspection before agreeing to covering the above stated warranty.

This warranty does not include parts coverage resulting from:

- Adverse operating conditions for the product.
- Failure to clean and/or maintain the product.
- Standard wear & tear items.
- Damage that is caused by employees or customers.
- Any part or assembly that has been altered, modified, or changed.
- Equipment usage in a residential or non-commercial setting.

LIMITATION OF LIABILITY AND OTHER WARRANTIES

Serv-Ware Products assumes no liability for misuse or inadequate maintenance of the Product. In no event shall the user be entitled to recover incidental or consequential damages. Including but not limited to; damages for inconvenience, food loss, rental or replacement equipment, loss of profits, or other commercial loss.

Warranties stated above are the only warranties made in connection with the sale and distribution of the Products. ANY AND ALL OTHER EXPRESSED STATUTORY AND IMPLIED WARRANTIES APPLICABLE TO THE PRODUCT INCLUDING, WITHOUT LIMITATION, ALL IMPLIED WARRANTIES OF MERCHANTABILITY AND FITNESS FOR USE ARE EXPRESSLY DISCLAIMED. The warranty information set forth above shall be governed by and construed in accordance with the laws of the State of North Carolina and, if applicable, the laws of the United States of America. The warranty, as stated, is extended only to the original owner/user and is not assignable. Serv-Ware reserves the right to change product specifications without notice due to constant product improvement.