



Item # \_\_\_\_\_  
 Project : \_\_\_\_\_  
 Qty : \_\_\_\_\_

# Ranges

Model No.

**SGR-10B**



**SGR-10B**

## Features:

- SGR-10B - 10 Open top burners, 2 ovens
- 30,000 BTU per open top burners
- 31,000 BTU per oven with U-shaped burner
- Fully welded frame for stability
- Stainless steel front, back riser and galvanized sides
- Covered pilot and burner covers to prevent clogging from spillage
- Durable stainless steel pilot
- Easily removable heavy duty cast grates/12" x 12"
- Pull out crumb tray with rounded edges to prevent heat transfer
- 6" Adjustable heavy duty stainless steel legs
- Full size sheet pan fits side-to-side or front-to-back
- Oven thermostat adjusts from 250° to 550° F
- 2 Oven racks and 4 rack positions
- Built for natural gas and supplied with LP conversion kit

## Warranty Info:

### One Year

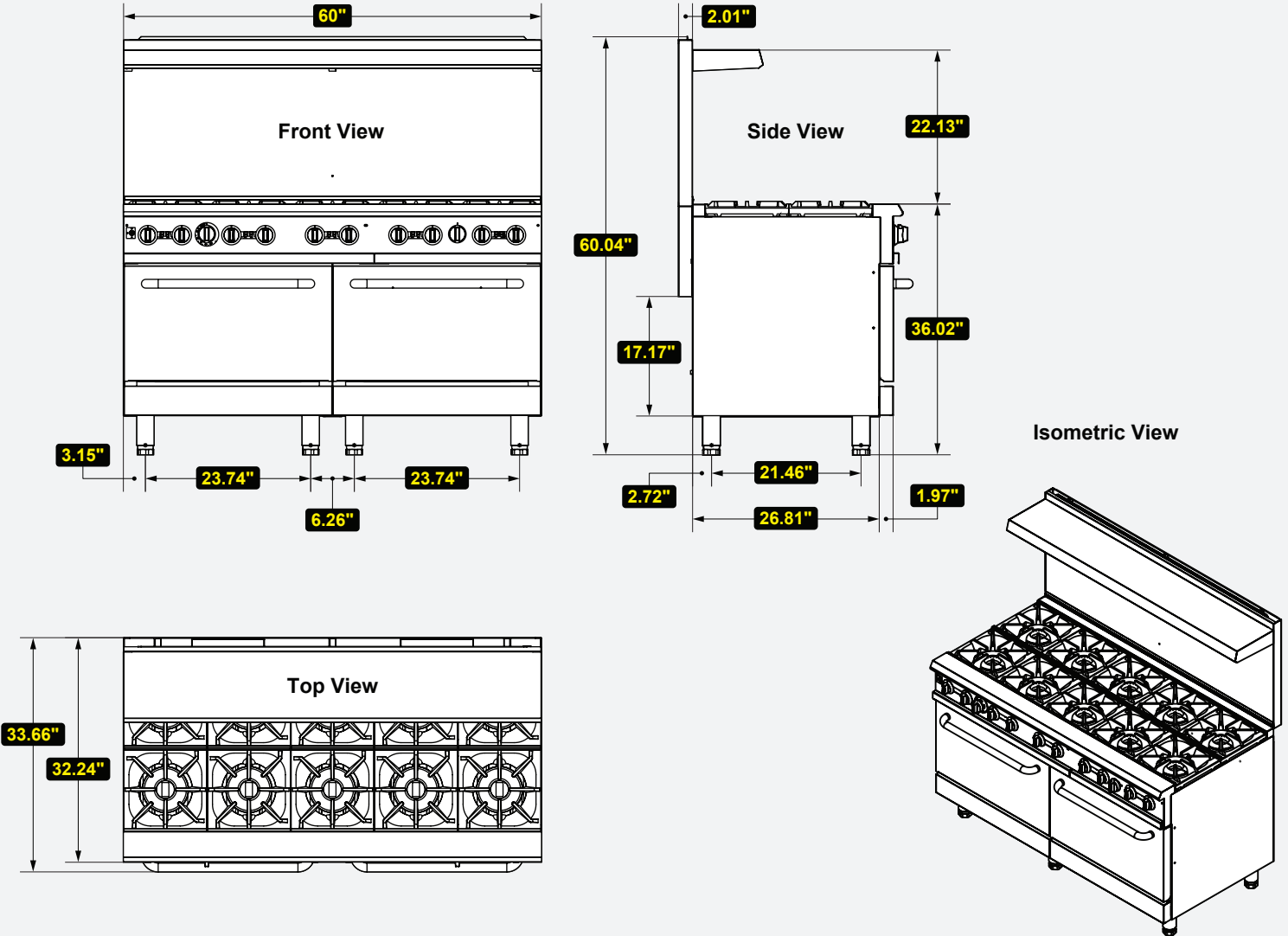
- Parts & Labor on entire unit.
- Valid in United States.
- Valid for commercial use only.

Revised 12/08/2023



**SGR-10B**

[www.servware.com](http://www.servware.com)  
 Phone:(800).768.5953  
 Fax:(800).976.1299



➤ **Technical Information:**

MODEL #	DESCRIPTION	DIMENSIONS	WEIGHT/LBS.
		( W x D x H )	(Shipping)
SGR-10B	10 Burner, 2 Oven	60" W x 32.6" D x 60" H	815 lbs.

CONSTRUCTION
Stainless steel front, back riser, high shelf, oven handle and bullnose. High temperature burner knobs with set screw. Nickel plated bullet feet. Porcelain door liner and oven bottom.

COOKING	
Temperature Range	250°F – 550°F
Gas Line	3/4"
W.C. for Natural Gas	4 in.
W.C. for LP	10 in.



Prop. 65 Warning for California Residents  
 WARNING: This product may contain chemicals known to the State of California to cause cancer, birth defects, or other reproductive harm.



## SGR Series - Gas Ranges

**Notify carrier of damage! Inspect all components immediately.**

*Serv-Ware Products warrants to the original owner/user that any piece of gas cooking equipment manufactured shall be free of defects in material or workmanship, under normal use and maintenance, for a period of one (1) year from the original installation date or a maximum of eighteen (18) months after the shipment date from Serv-Ware Products. Proper installation and start-up in accordance with the instruction manual supplied will be taken into consideration when evaluating the warranty on the specified equipment. Labor warranty charges are valid in the United States only.*

*The labor warranty shall include standard labor charges at the product location only. The end user is responsible for any emergency, overtime, or long-distance travel charges. Any labor service required to fulfill the warranty obligation must be performed by a qualified gas appliance service company and accepted by Serv-Ware Products. Billing will be handled between the service company and manufacturer directly, there will be no compensation for charges not billed to Serv-Ware Products by the service company. Serv-Ware Products reserves the right to have any warranty "failed" parts returned to the factory for inspection before agreeing to covering the above stated warranty labor charges*

### **This warranty does not include parts & labor coverage resulting from:**

- External electrical power failure or improper supply voltage to product.
- Adverse operating conditions for the product.
- Failure to clean and/or maintain the product.
- Standard wear & tear items.
- Failure to maintain a proper gas supply pressure.
- Improper conversion practices (natural gas to propane).
- Damage that is caused by employees or customers.
- Any part or assembly that has been altered, modified, or changed.
- Equipment usage in a residential or non-commercial setting.
- Calibration adjustments.

### **LIMITATION OF LIABILITY AND OTHER WARRANTIES**

*Serv-Ware Products assumes no liability for misuse or inadequate maintenance of the Product. In no event shall the user be entitled to recover incidental or consequential damages. Including but not limited to; damages for inconvenience, food loss, rental or replacement equipment, loss of profits, or other commercial loss.*

*Warranties stated above are the only warranties made in connection with the sale and distribution of the Products. ANY AND ALL OTHER EXPRESSED STATUTORY AND IMPLIED WARRANTIES APPLICABLE TO THE PRODUCT INCLUDING, WITHOUT LIMITATION, ALL IMPLIED WARRANTIES OF MERCHANTABILITY AND FITNESS FOR USE ARE EXPRESSLY DISCLAIMED. The warranty information set forth above shall be governed by and construed in accordance with the laws of the State of North Carolina and, if applicable, the laws of the United States of America. The warranty, as stated, is extended only to the original owner/user and is not assignable. Serv-Ware reserves the right to change product specifications without notice due to constant product improvement.*