



Model No.

**SGCO-1**



### Features:

- 54,000 BTU per oven cavity
- Stainless front with fully visible glazed doors
- Porcelain interior for easy cleaning
- 4 Racks, 13 rack positions
- Automatic igniting system
- Solid state temperature controller
- 60 Minute timer
- Dual speed motor
- Interior light
- Built for natural gas and supplied with LP conversion kit
- 3/4" Gas inlet size
- Single unit (SGCO-1) - Strong, stable angular legs
- Double stack unit - stacking kit with casters included (assembly required, sold separately)

**SGCO-1**

### Warranty Info:

#### One Year

- Parts & Labor on entire unit.
- Valid in United States.
- Valid for commercial use only.



Conforms to UL471, CSA C22.2 and NSF 7 Standards.

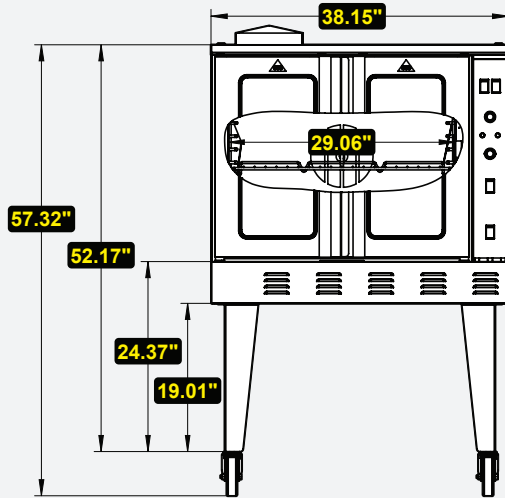
Revised 12/08/2023

**SGCO-1**

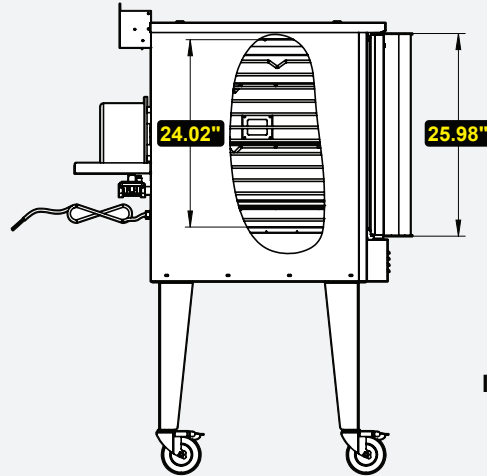
Phone:(800).768.5953  
Fax:(800).976.1299

[www.servware.com](http://www.servware.com)  
Copyright © 2023 Serv-Ware Products Inc.

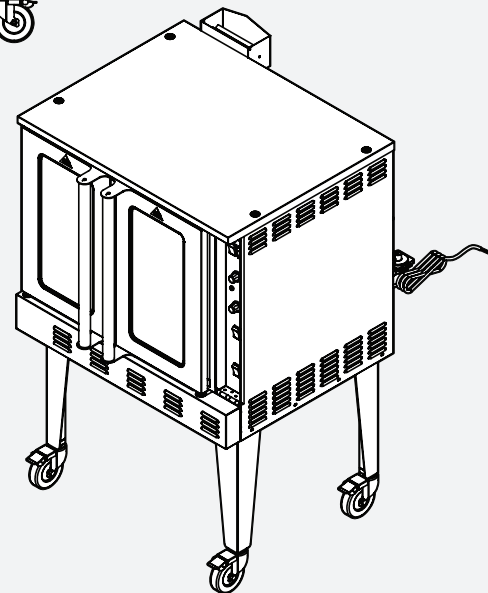
Front View



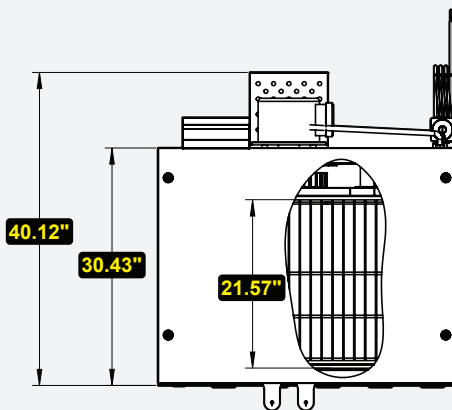
Side View



Isometric View



Top View



➤ Technical Information:

MODEL #	DESCRIPTION	DIMENSIONS	WEIGHT/LBS.
		( W x D x H )	(Shipping)
SGCO-1	Single Deck	38.15" W x 40.12" D x 57.32" H	545 lbs.

CONSTRUCTION
Stainless steel front, galvanized sides, glazed doors, and porcelain interior

COOKING	
Temperature Range	250°F – 550°F
BTU/H	54,000
Gas Line	¾
W.C. for Natural Gas	4 in.
W.C. for LP	10 in.



Prop. 65 Warning for California Residents  
 WARNING: This product may contain chemicals known to the State of California to cause cancer, birth defects, or other reproductive harm.



## SGCO Series - Convection Ovens

**Notify carrier of damage! Inspect all components immediately.**

*Serv-Ware Products warrants to the original owner/user that any product manufactured shall be free of defects in material or workmanship, under normal use and maintenance, for a period of one (1) year from the original installation date or a maximum of eighteen (18) months after the shipment date from Serv-Ware Products. Proper installation and start-up in accordance with the instruction manual supplied will be taken into consideration when evaluating the warranty on the specified equipment.*

*The labor warranty shall include standard labor charges at the product location only. The end user is responsible for any emergency, overtime, or long-distance travel charges. Any labor service required to fulfill the warranty obligation must be performed by a qualified gas appliance service company and accepted by Serv-Ware Products. Billing will be handled between the service company and manufacturer directly, there will be no compensation for charges not billed to Serv-Ware Products by the service company. Serv-Ware Products reserves the right to have any warranty "failed" parts returned to the factory for inspection before agreeing to covering the above stated warranty labor charges.*

### **This warranty does not include parts & labor coverage resulting from:**

- External electrical power failure or improper supply voltage to product.
- Adverse operating conditions for the product.
- Failure to clean and/or maintain the product.
- Standard wear & tear items.
- Failure to maintain a proper gas supply pressure.
- Improper conversion practices (natural gas to propane).
- Damage that is caused by employees or customers.
- Any part or assembly that has been altered, modified, or changed.
- Equipment usage in a residential or non-commercial setting.
- Calibration adjustments.

### **LIMITATION OF LIABILITY AND OTHER WARRANTIES**

*Serv-Ware Products assumes no liability for misuse or inadequate maintenance of the Product. In no event shall the user be entitled to recover incidental or consequential damages. Including but not limited to; damages for inconvenience, food loss, rental or replacement equipment, loss of profits, or other commercial loss.*

*Warranties stated above are the only warranties made in connection with the sale and distribution of the Products. ANY AND ALL OTHER EXPRESSED STATUTORY AND IMPLIED WARRANTIES APPLICABLE TO THE PRODUCT INCLUDING, WITHOUT LIMITATION, ALL IMPLIED WARRANTIES OF MERCHANTABILITY AND FITNESS FOR USE ARE EXPRESSLY DISCLAIMED. The warranty information set forth above shall be governed by and construed in accordance with the laws of the State of North Carolina and, if applicable, the laws of the United States of America. The warranty, as stated, is extended only to the original owner/user and is not assignable. Serv-Ware reserves the right to change product specifications without notice due to constant product improvement.*