

# Electric Panini Grills



Model No.

**EPG-200GG**



**EPG-200GG**

## Features:

- For grilling/toasting both sides of bread such as panini sandwiches, grilled cheese sandwiches, wraps, quesadillas, toasting bread or garlic bread etc.
- Commercial construction/heavy duty stainless
- Adjustable temperature 120°F–570°F
- Cast iron plates - grooved top & bottom
- Removable crumb tray
- Cool touch handle
- Ready light and power light

## Warranty Info:

**Six Month**

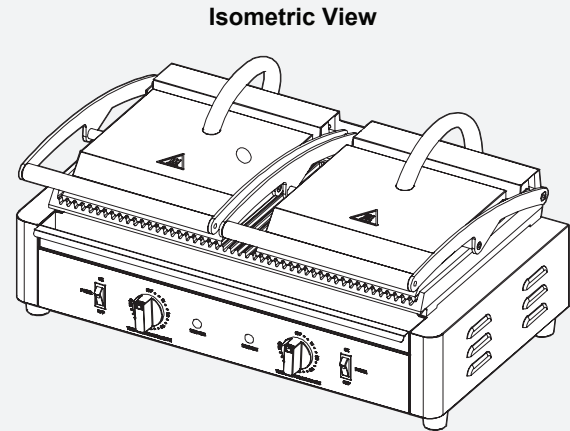
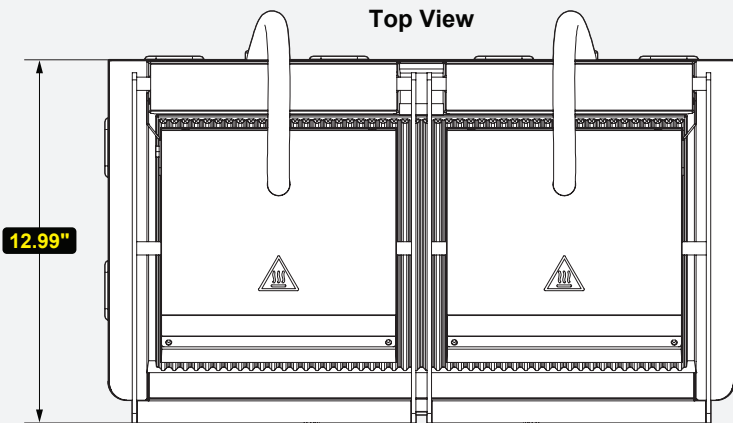
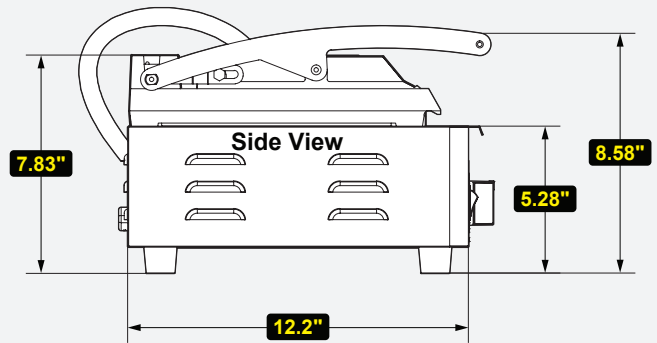
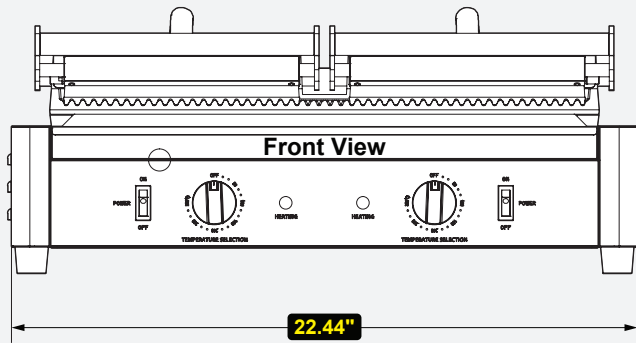
- Replacement parts only.
- Valid in United States.
- Valid for commercial use only.

Revised 11/14/2023



**EPG-200GG**

www.servware.com  
 Phone:(800).768.5953  
 Fax:(800).976.1299



NEMA 5-15P

➤ Technical Information:

MODEL #	DESCRIPTION	DIMENSIONS	WEIGHT/LBS.
		( W x D x H )	(Shipping)
EPG-200GG	Double Grill	22.44" W x 14.56" D x 8.26" H	66 lbs.

CONSTRUCTION	
Stainless steel	
construction with cast	
iron plates	

ELECTRICAL	
<b>Voltage</b>	115
<b>Amps ea.</b>	15
<b>Hz</b>	60
<b>Phase</b>	1
<b>Watts ea.</b>	1750

COOKING	
<b>Temperature Range</b>	120°F – 570°F



Prop. 65 Warning for California Residents  
**WARNING:** This product may contain chemicals known to the State of California to cause cancer, birth defects, or other reproductive harm.



Phone:(800).768.5953  
 Fax:(800).976.1299

## EPG Series - Electric Panini Griddles

**Notify carrier of damage! Inspect all components immediately.**

*Serv-Ware Products warrants to the original owner/user that any product manufactured shall be free of defects in material or workmanship, under normal use and maintenance, for a period of six (6) months from the original installation date or a maximum of twelve (12) months after the shipment date from Serv-Ware Products. Proper installation and start-up in accordance with the instruction manual supplied will be taken into consideration when evaluating the warranty on the specified equipment.*

*This warranty does not include labor charges. Serv-Ware Products reserves the right to have any warranty "failed" parts returned to the factory for inspection before agreeing to covering the above stated warranty.*

### **This warranty does not include parts & labor coverage resulting from:**

- External electrical power failure or improper supply voltage to product.
- Adverse operating conditions for the product.
- Failure to clean and/or maintain the product.
- Standard wear & tear items.
- Damage that is caused by employees or customers.
- Any part or assembly that has been altered, modified, or changed.
- Equipment usage in a residential or non-commercial setting.

### **LIMITATION OF LIABILITY AND OTHER WARRANTIES**

*Serv-Ware Products assumes no liability for misuse or inadequate maintenance of the Product. In no event shall the user be entitled to recover incidental or consequential damages. Including but not limited to; damages for inconvenience, food loss, rental or replacement equipment, loss of profits, or other commercial loss.*

*Warranties stated above are the only warranties made in connection with the sale and distribution of the Products. ANY AND ALL OTHER EXPRESSED STATUTORY AND IMPLIED WARRANTIES APPLICABLE TO THE PRODUCT INCLUDING, WITHOUT LIMITATION, ALL IMPLIED WARRANTIES OF MERCHANTABILITY AND FITNESS FOR USE ARE EXPRESSLY DISCLAIMED. The warranty information set forth above shall be governed by and construed in accordance with the laws of the State of North Carolina and, if applicable, the laws of the United States of America. The warranty, as stated, is extended only to the original owner/user and is not assignable. Serv-Ware reserves the right to change product specifications without notice due to constant product improvement.*