

Planetary Dough Mixers

Model No.

PM30-PTO



PM30-PTO

Features:

- Gear driven, high torque transmission
- Three speeds
- Manual Timer
- Heat-treated hardened steel alloy gears and shafts
- Permanently lubricated transmission
- Thermal overload protection
- Rigid cast iron body
- Stainless steel bowl guard
- Safety interlocked bowl guard and bowl lift
- Industry standard #12 attachment hub
- 120 Volt NEMA 5-15 P
- ETL listed
- Includes dough hook, beater & wire whip

Warranty Info:

One Year

- Parts & Labor on entire unit.
- Valid in United States.
- Valid for commercial use only.



** See last page for more information.*



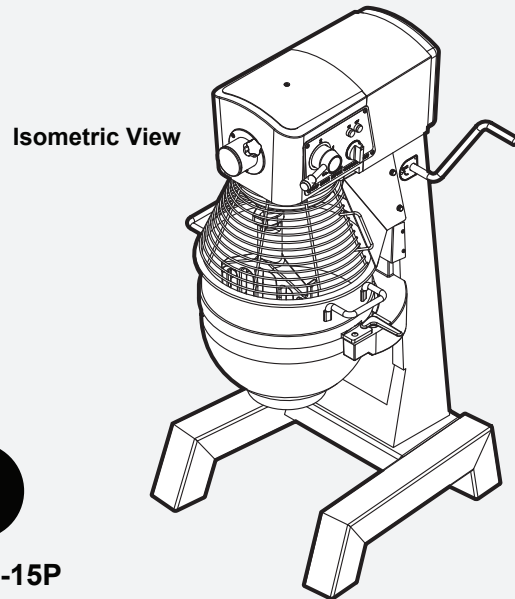
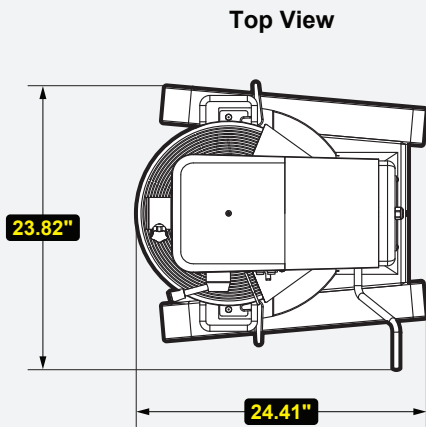
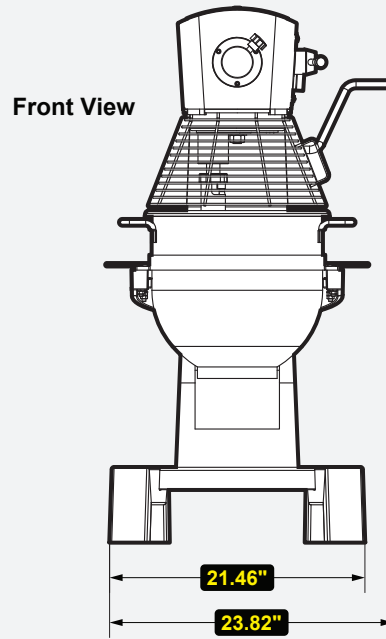
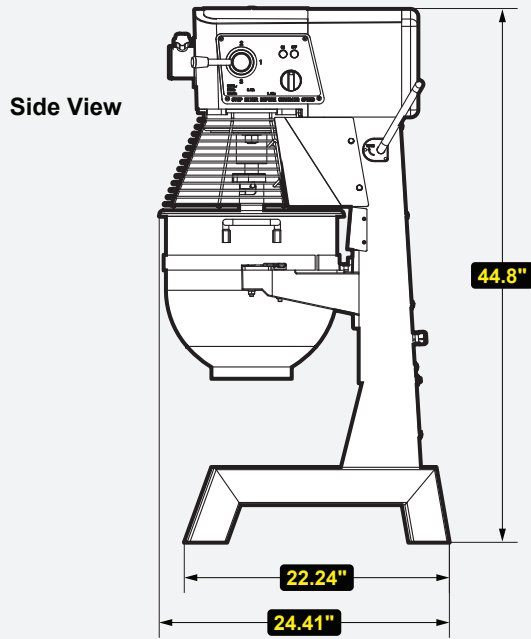
Conforms to UL471, CSA C22.2 and NSF 7 Standards.

Revised 12/22/2023

PM30-PTO

Phone:(800).768.5953
 Fax:(800).976.1299

www.servware.com
 Copyright © 2023 Serv-Ware Products LLC.



NEMA 5-15P

| MODEL # | DESCRIPTION | DIMENSIONS | WEIGHT/LBS. |
|----------|--------------|-------------------------|-------------|
| | | (W x D x H) | (Shipping) |
| PM30-PTO | 30 qt. Mixer | 28" W x 26.5" D x 50" H | 330 lbs. |

| CONSTRUCTION | |
|----------------------|--|
| Rigid cast iron body | |
| with stainless steel | |
| bowl guard | |

| ELECTRICAL | |
|----------------|------|
| Voltage | 120 |
| Amps | 12.5 |
| Hz | 60 |
| Phase | 1 |

| ADDITIONAL INFORMATION | |
|-----------------------------|-----------------------|
| Motor HP | 2 HP |
| 1st Speed | 91 RPM |
| 2nd Speed | 166 RPM |
| 3rd Speed | 282 RPM |
| Max Flour / Dough | 16.5 lbs. / 24.9 lbs. |



Prop. 65 Warning for California Residents
 WARNING: This product may contain chemicals known to the State of California to cause cancer, birth defects, or other reproductive harm.



Phone:(800).768.5953
 Fax:(800).976.1299

PM Series - Planetary Dough Mixer

Notify carrier of damage! Inspect all components immediately.

Serv-Ware Products warrants to the original owner/user that any piece of equipment manufactured shall be free of defects in material or workmanship, under normal use and maintenance, for a period of one (1) year from the original installation date or a maximum of eighteen (18) months after the shipment date from Serv-Ware Products. This one (1) year warranty includes parts and labor. Proper installation and start-up in accordance with the instruction manual supplied will be taken into consideration when evaluating the warranty on the specified equipment. Labor warranty charges are valid in the United States only.

The labor warranty shall include standard labor charges at the product location only. The end user is responsible for any emergency, overtime, or long-distance travel charges. Any labor service required to fulfill the warranty obligation must be performed by a qualified commercial food equipment service company and accepted by Serv-Ware Products. Billing will be handled between the service company and manufacturer directly, there will be no compensation for charges not billed to Serv-Ware Products by the service company. Serv-Ware Products reserves the right to have any warranty "failed" parts returned to the factory for inspection before agreeing to covering the above stated warranty labor charges.

This warranty does not include parts & labor coverage resulting from:

- External electrical power failure or improper supply voltage to product.
- Adverse operating conditions for the product.
- Failure to clean and/or maintain the product.
- Standard wear & tear items.
- Damage that is caused by employees or customers.
- Any part or assembly that has been altered, modified, or changed.
- Equipment usage in a residential or non-commercial setting.

LIMITATION OF LIABILITY AND OTHER WARRANTIES

Serv-Ware Products assumes no liability for misuse or inadequate maintenance of the Product. In no event shall the user be entitled to recover incidental or consequential damages. Including but not limited to; damages for inconvenience, food loss, rental or replacement equipment, loss of profits, or other commercial loss.

Warranties stated above are the only warranties made in connection with the sale and distribution of the Products. ANY AND ALL OTHER EXPRESSED STATUTORY AND IMPLIED WARRANTIES APPLICABLE TO THE PRODUCT INCLUDING, WITHOUT LIMITATION, ALL IMPLIED WARRANTIES OF MERCHANTABILITY AND FITNESS FOR USE ARE EXPRESSLY DISCLAIMED. The warranty information set forth above shall be governed by and construed in accordance with the laws of the State of North Carolina and, if applicable, the laws of the United States of America. The warranty, as stated, is extended only to the original owner/user and is not assignable. Serv-Ware reserves the right to change product specifications without notice due to constant product improvement.