

# SERV-WARE™

## Stainless Steel Overshelf

**PPOS-44**

For Pizza Prep Table  
**PP44-6-HC**

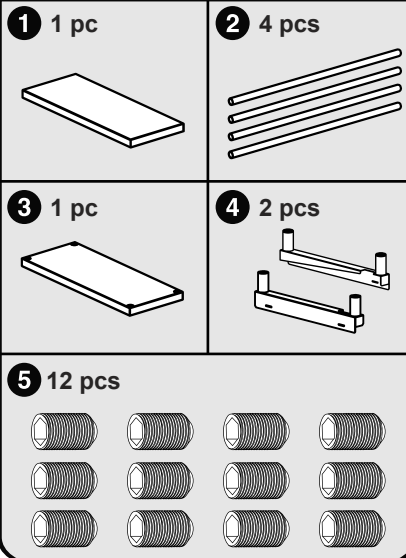
**PPOS-67**

For Pizza Prep Table  
**PP67-9-HC**

### Assembly & Installation Guide

For questions, contact the Service department at:  
[service@servware.com](mailto:service@servware.com) or  
call 800-768-5953

#### ASSEMBLY PARTS LIST



- 1** Top Shelf
- 2** Shelf Support Legs
- 3** Middle Shelf
- 4** Bracket Attachments
- 5** Set Screws

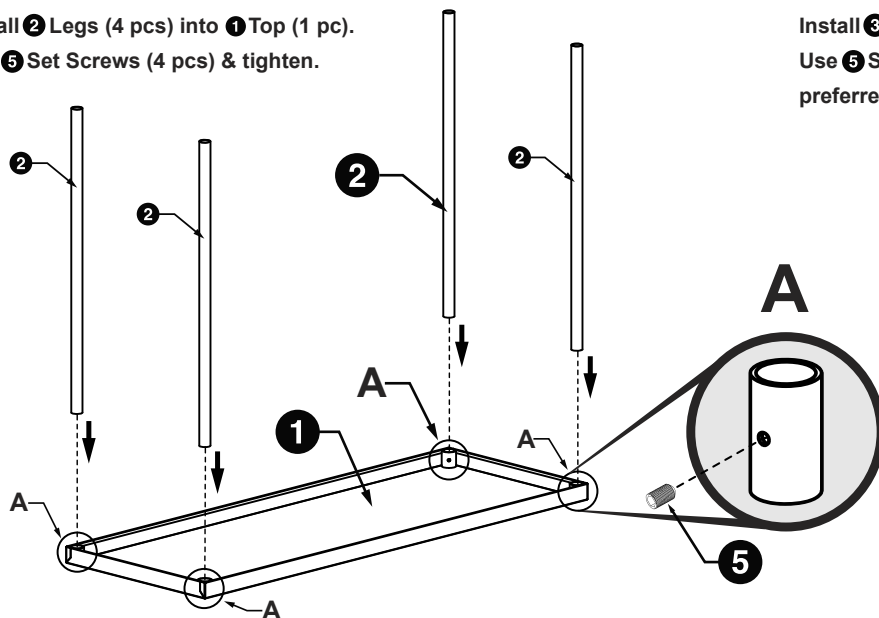
#### ASSEMBLY TOOL LIST



Level

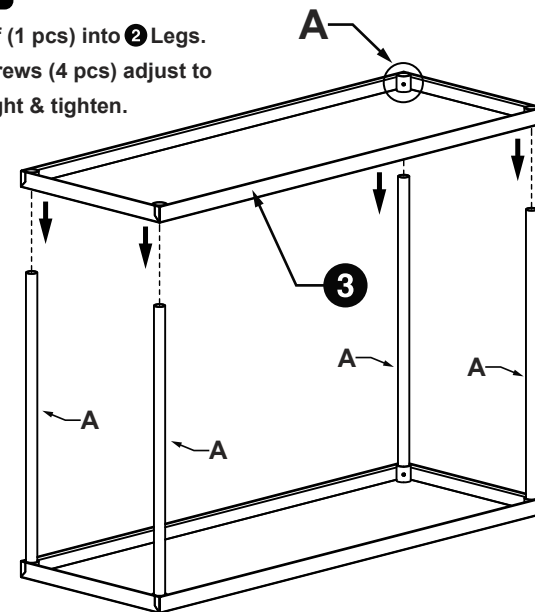
#### STEP 1

Install **2** Legs (4 pcs) into **1** Top (1 pc).  
Use **5** Set Screws (4 pcs) & tighten.



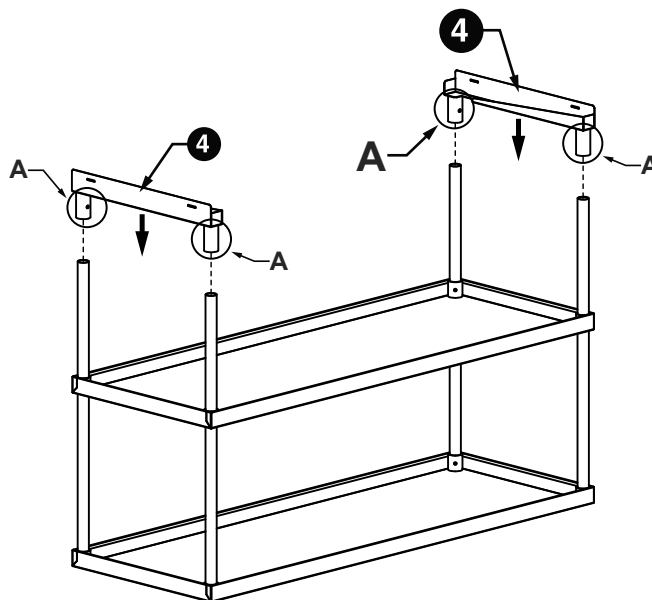
#### STEP 2

Install **3** shelf (1 pcs) into **2** Legs.  
Use **5** Set Screws (4 pcs) adjust to preferred height & tighten.



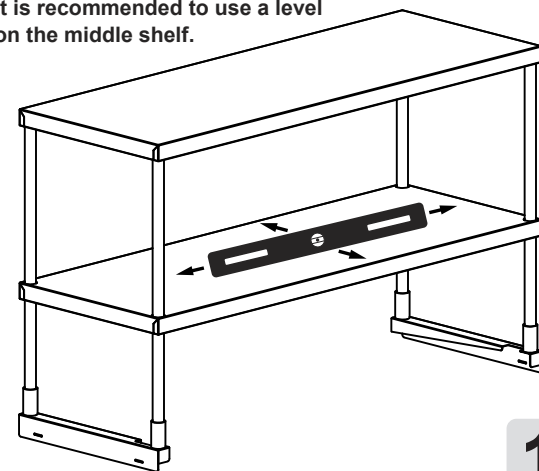
#### STEP 3

Install **4** Bracket Attachments (2 pcs) into **2** Legs.  
Use **5** Set Screws (4 pcs) & tighten.



#### FINAL ASSEMBLY

It is recommended to use a level on the middle shelf.



# SERV-WARE™

## Stainless Steel Overshelf

**PPOS-44**

For Pizza Prep Table  
**PP44-6-HC**

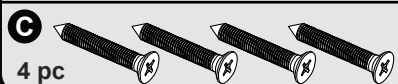
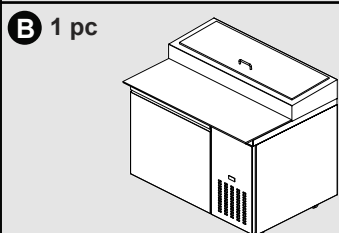
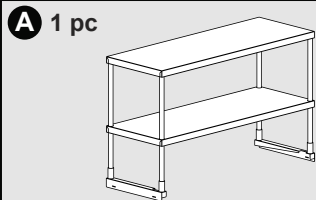
**PPOS-67**

For Pizza Prep Table  
**PP67-9-HC**

**Assembly & Installation Guide**

For questions, contact the Service department at:  
[service@servware.com](mailto:service@servware.com) or  
call 800-768-5953

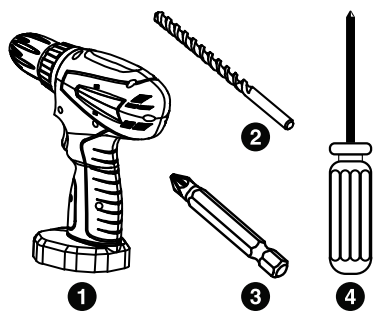
### INSTALLATION PARTS LIST



**A** Top Shelf Assembled    **B** Sandwich Prep Unit

**C** Sheet Metal Screws (4 pcs)

### INSTALLATION TOOL LIST

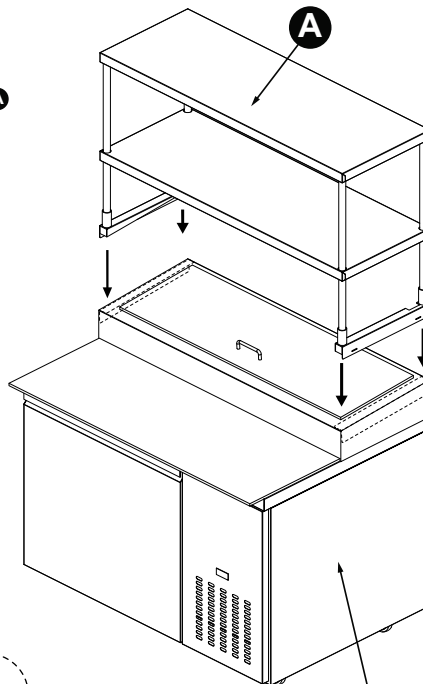


**1** Drill    **2** Drill Bit    **3** Phillips Bit

**4** Phillips Screwdriver (\* Optional )

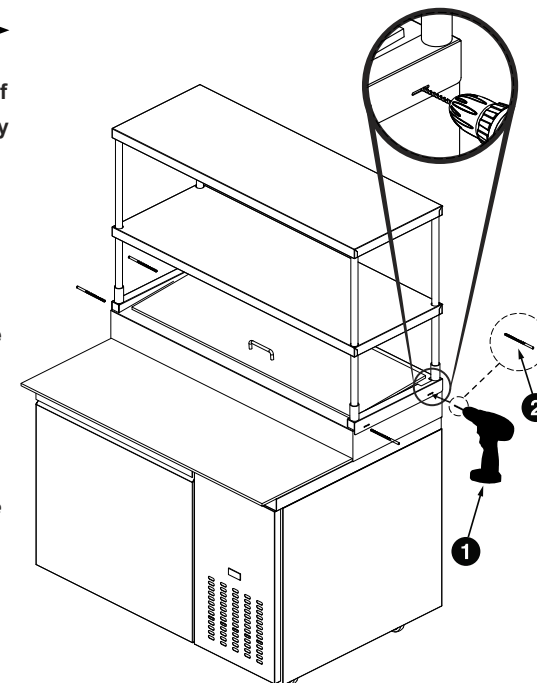
### STEP 1

To install Assembled **A** Top Shelf, lift & align over the Sandwich Prep Unit as shown. It is recommended to have one or more persons to help hold & align the **A** Top Shelf before drilling four holes to fasten **C** sheet metal screws.



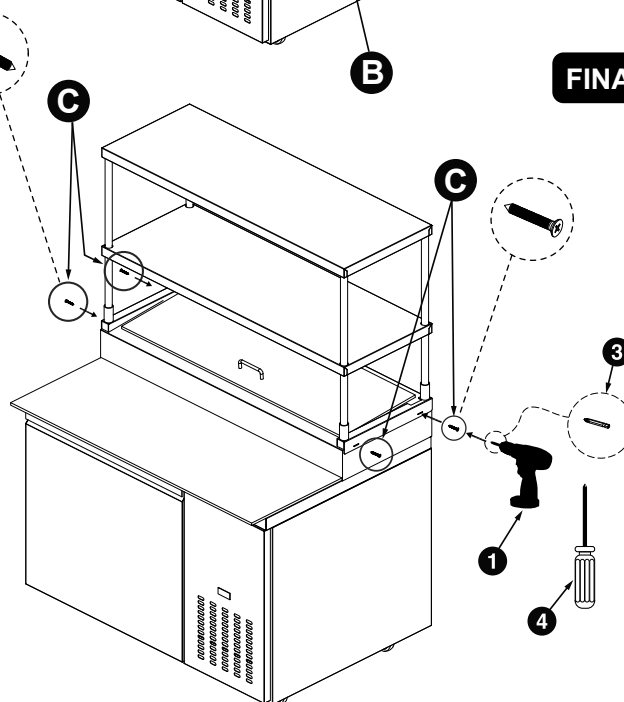
### STEP 2

Once the Top Shelf is aligned correctly use a **1** drill & **2** drill bit to make 4 screw holes. Carefully drill through outside panel making sure not to puncture through to the inner panel. (\*Self tapping screws may also be used if preferred.)



### STEP 3

Carefully screw in **C** sheet metal screws to avoid stripping screws and tighten to secure top shelf to unit. Adjust middle shelf so unit's top hatch opens for easy access.



### FINAL INSTALLATION

