

Item# _____
Project: _____
Qty: _____

2 Bowl Economy Sink Stainless Steel 18 Gauge, 14" Deep



Serv-Ware

Features

- 304 Series Stainless Steel
- 18 Gauge Construction
- Stainless Steel Gussets
- 14" Deep Bowls Welded Together
- 9 1/4" Backsplash (11 3/4" from Deck to Tile Edge)
- Galvanized Legs with Adjustable Feet
- Basket Strainers Included



Serv-Ware
www.servware.com

Phone:(800).768.5953

Fax:(800).976.1299

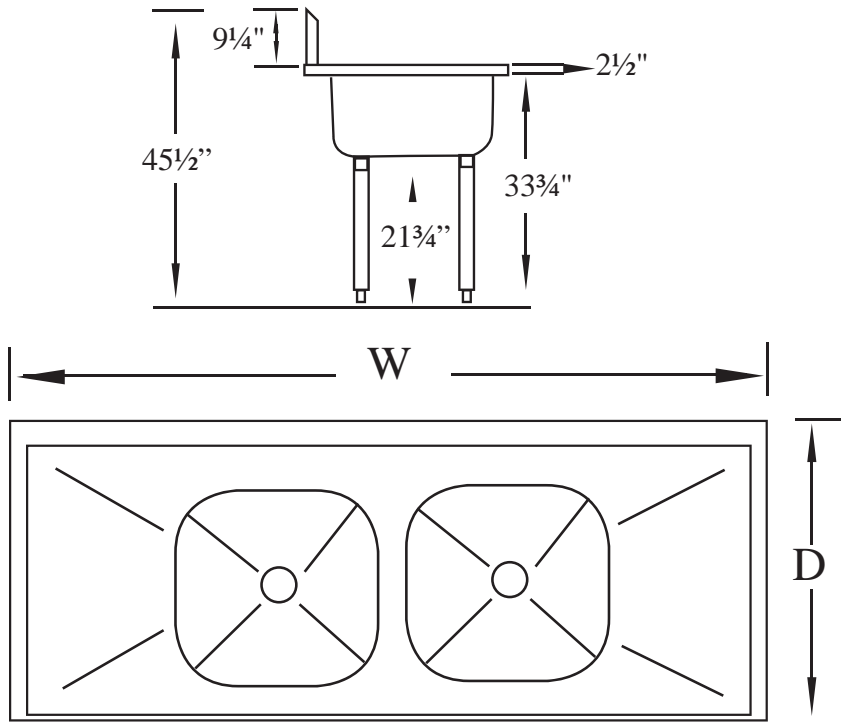
Revised 7/18

Item# _____

Project: _____

Qty: _____

2 Bowl Economy Sink Stainless Steel 18 Gauge, 14" Deep



| Model | Bowl Size (W x D) | Drain Boards | Size (D x W) | Weight/lbs (Shipping) |
|---------------|-----------------------------|---------------------|------------------------|---------------------------------|
| E2CWP1818 | 18" x 18" | N/A | 23.5" x 41" | 75 |
| E2CWP18182-18 | 18" x 18" | Two 18" | 23.5" x 72" | 126 |
| E2CWP1818L-18 | 18" x 18" | One 18" Left | 23.5" x 56.5" | 101 |
| E2CWP1818R-18 | 18" x 18" | One 18" Right | 23.5" x 56.5" | 101 |
| E2CWP2424 | 24" x 24" | N/A | 29.5" x 53" | 80 |
| E2CWP2424L-24 | 24" x 24" | One 24" Left | 29.5" x 74.5" | 89 |
| E2CWP2424R-24 | 24" x 24" | One 24" Right | 29.5" x 74.5" | 89 |
| E2CWP24242-24 | 24" x 24" | Two 24" | 29.5" x 96" | 136 |



Serv-Ware
www.servware.com

Phone: (800).768.5953

Fax: (800).976.1299

Revised 7/18

