

Item# _____
Project: _____
Qty: _____

Undercounter Soiled Dish Table



Serv-Ware

Features

- 304 Series Stainless Steel
- 16 Gauge Construction
- 7½" Back Splash
- 5" Deep Bowl
- 1⅝" Galvanized Legs with Adjustable Foot
- Available in Left and Right Models



Serv-Ware
www.servware.com

Phone:(800).768.5953

Fax:(800).976.1299

Revised 1/17

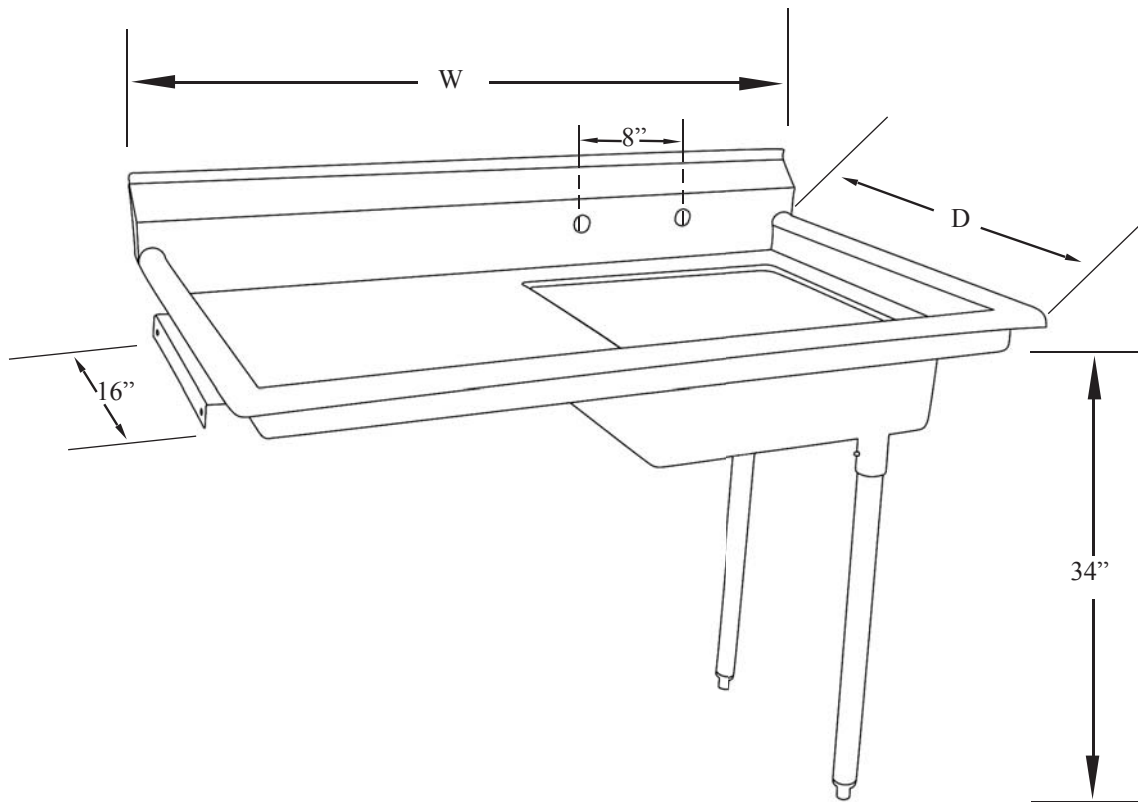


Item# _____

Project: _____

Qty: _____

Undercounter Soiled Dish Table



Serv-Ware

Model	Description	Overall Width	Weight / lbs.
		W x D x H	(Shipping)
UCDT48L-CWP	Left Dish Table	48" x 30" x 42"	52
UCDT72L-CWP	Left Dish Table	72" x 30" x 42"	75
UCDT48R-CWP	Right Dish Table	48" x 30" x 42"	52
UCDT72R-CWP	Right Dish Table	72" x 30" x 42"	75



Serv-Ware
www.servware.com

Phone: (800).768.5953

Fax: (800).976.1299

Revised 1/17

