

Item# _____
Project: _____
Qty: _____

Undercounter Refrigerator & Freezer

UCR-27-HC / UCF-27-HC



UCR-48-HC / UCF-48-HC



Serv-Ware

Features

- Electronic Thermostat & Digital LED Temperature Display
- High Efficiency CFC Free Insulation
- Auto Defrosting & Auto Evaporation of Condensation Water
- Stainless Steel Front & Sides
- Self-Closing Doors, Remain Open Past 90°
- Shipped with Casters Installed

Conforms to UL471, CSA C22.2 and NSF 7 Standards.

Two Year - Parts & Labor on entire unit. Valid in United States
Three Year - Additional Compressor, Part Only



Serv-Ware
www.servware.com

Phone:(800).768.5953

Revised 1/18

Fax:(800).976.1299

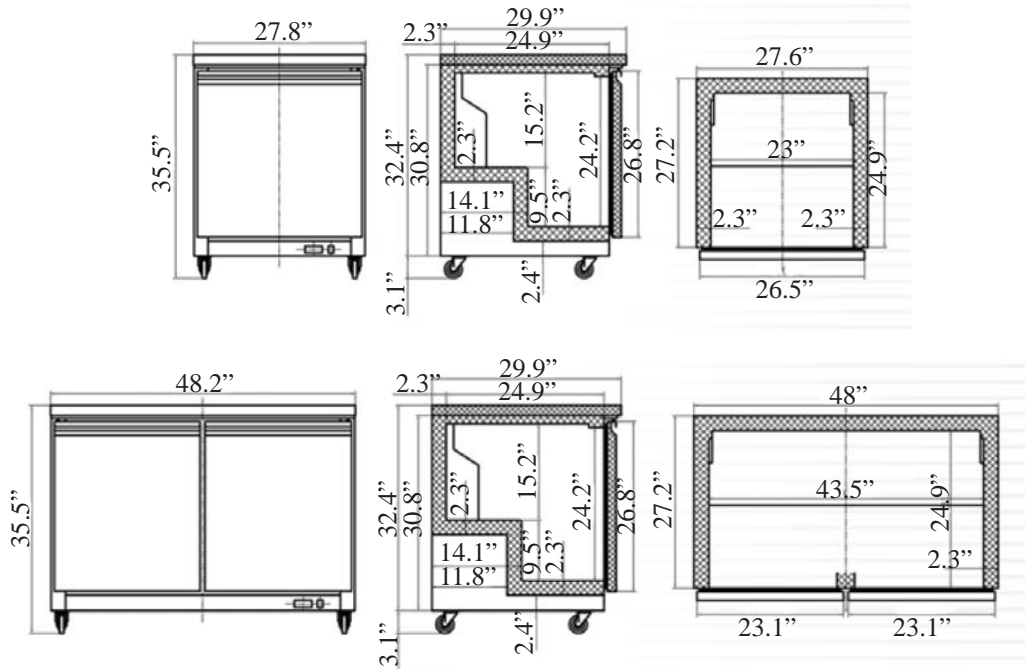


Item# _____

Project: _____

Qty: _____

Undercounter Refrigerator & Freezer



27" Refrigerator

Exterior Dimensions 27.8" W x 29.9" D x 35.5" H
 Net Volume 6.5 cu. ft.
 Shipping Weight 177 lbs

48" Refrigerator

Exterior Dimensions 48.2" W x 29.9" D x 35.5" H
 Net Volume 12 cu. ft.
 Net Weight 267 lbs

Construction

Exterior Material Stainless Steel
 Interior Material ABS with S/S Floor
 Insulation Material CFC Free Foam
 Shelf Material Epoxy Coated Wire

Cooling

Temperature Range 33°F – 41°F
 Refrigerant R134A
 Defrosting Every 6 Hours
 H/P 1/4

Electrical

Voltage 115
 Amps 5 (UCR-27 & UCR-48)
 Hz 60
 Phase 1
 Nema Plus 5-15P

27" Freezer

Exterior Dimensions 27.8" W x 29.9" D x 37.5" H
 Net Volume 6.5 cu. ft.
 Shipping Weight 180 lbs

48" Freezer

Exterior Dimensions 48.2" W x 29.9" D x 35.5" H
 Net Volume 12 cu. ft.
 Net Weight 289 lbs

Construction

Exterior Material Stainless Steel
 Interior Material ABS with S/S Floor
 Insulation Material CFC Free Foam
 Shelf Material Epoxy Coated Wire

Cooling

Temperature Range -10°F – 10°F
 Refrigerant R404A
 Defrosting Every 6 Hours
 H/P 5/8

Electrical

Voltage 115
 Amps 9
 Hz 60
 Phase 1
 Nema Plug 5-15P



Serv-Ware
www.servware.com

Phone: (800).768.5953

Revised 1/18

Fax: (800).976.1299



Serv-Ware