

Item# _____
Project: _____
Qty: _____

Sandwich / Salad Prep Table

SP29-8
1 Door Sandwich
Prep Unit

SP48-12
2 Door Sandwich
Prep Unit



8 Pan Unit



12 Pan Unit

Features

- Electronic Thermostat and Digital LED
- 1/6 size pans included
- Cutting board included
- Stainless steel front & sides
- Self closing doors remain open past 90°
- R134A Refrigerant
- Slide out condenser
- Full length integrated door handle
- Casters with two front brakes

Serv-Ware SP Series Prep Tables are UL Safety and UL Sanitation Approved.

Featured with Stainless Steel exterior, ABS interior liner, Aluminum back, self-closing door, digital controls with a LED readout, foamed in place polyurethane cell insulation, stainless steel slide rail work area with cutting board and a cold topping holding area. The hinged cover helps keep your condiments, meats, and vegetables cold during off-peak hours. Unit is shipped with casters installed (2 Brake and 2 Non Brake).

1/6 size pan plastic pans are included with 1 epoxy coated wire shelf per door, all with adjustable mounting brackets for greater flexibility.

The rear mounted compressor is designed to hold temperatures between 33°F and 41°F.

Conforms to UL471, CSA C22.2 and NSF 7 Standards.

Two Year - Parts & Labor on entire unit. Valid in United States
Three Year - Additional Compressor, Part Only



Serv-Ware
www.servware.com
Phone:(800).768.5953

Revised 12/17
Fax:(800).976.1299



Serv-Ware

Sandwich/Salad Prep Table

Dimensions

8 Pan Unit

Exterior Dimensions	29" W x 30" D x 43.2" H
Pan Unit	8 Pans
Net Volume	7 cu. ft.
Shipping Weight	217 lbs

Construction

Exterior Material	Stainless Steel
Interior Material	ABS with S/S Floor
Insulation Material	CFC Free Foam
Shelf Material	Epoxy Coated Wire

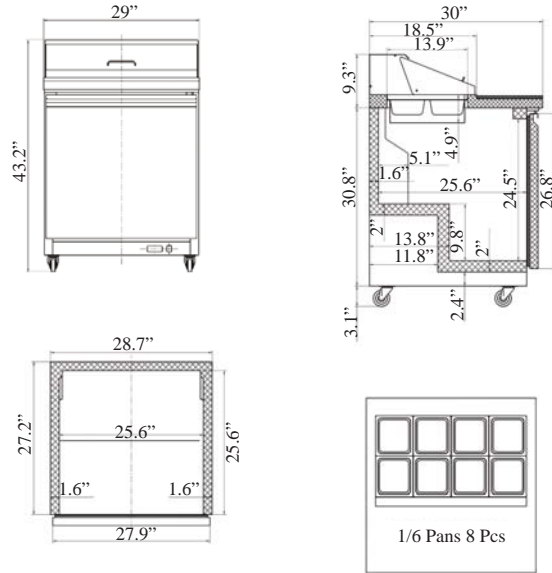
Cooling

Temperature Range	33°F – 41°F
Refrigerant	R134A
Defrosting	Every 6 Hours
H/P	1/4

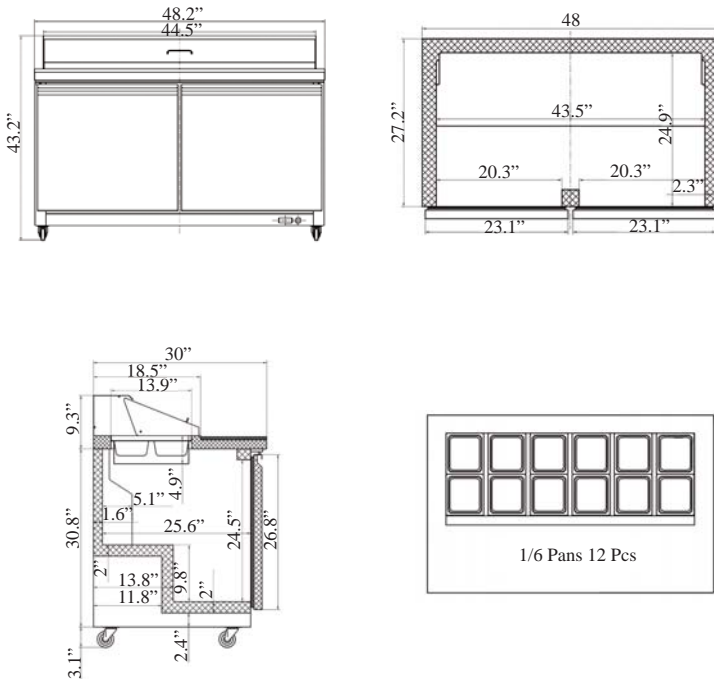
Electrical

Voltage	115
Amps	5
Hz	60
Phase	1

SP29-8



SP48-12



Dimensions

12 Pan Unit

Exterior Dimensions	48.2" W x 30" D x 43.2" H
Pan Unit	12 Pans
Net Volume	12 cu. ft.
Shipping Weight	322 lbs

Construction

Exterior Material	Stainless Steel
Interior Material	ABS with S/S Floor
Insulation Material	CFC Free Foam
Shelf Material	Epoxy Coated Wire

Cooling

Temperature Range	33°F – 41°F
Refrigerant	R134A
Defrosting	Every 6 Hours
H/P	3/8

Electrical

Voltage	115
Amps	7
Hz	60
Phase	1



Serv-Ware
www.servware.com

Phone:(800).768.5953

Revised 12/17

Fax:(800).976.1299



Serv-Ware