

Item# \_\_\_\_\_  
Project: \_\_\_\_\_  
Qty: \_\_\_\_\_

# Reach-In Freezer

**RF-1-19**  
One Door Freezer



**RF-1\***  
One Door Freezer



**RF-2-35**  
Two Door Freezer



**RF-2\***  
Two Door Freezer



**RF-3(DV)\***  
Three Door Freezer



## Features

- Now with Stainless Steel Interior\*
- Electronic Thermostat and Digital LED Temperature Display
- High Efficiency CFC Free Insulation
- Stainless Steel Front and Sides
- Self-Closing Doors with Full Length Handle, Remain Open Past 90°
- 3 Shelves Per Door
- Shipped with Casters Installed

Serv-Ware RR Series Freezers are UL Safety and UL Sanitation Approved.

Featured with an aluminum painted interior, heavy duty 202 series stainless steel floor, 304 stainless steel floor on models RF-1-19 and RF-2-35, 430 series stainless steel exterior door & front panel, self-closing lockable doors, digital controls with a LED readout and foamed in place polyurethane cell insulation. Unit is shipped with casters installed (2 Brake and 2 Non Brake).

The single door includes 3 epoxy coated wire shelves, the double door includes 6 epoxy coated wire shelves and the triple door includes 9 epoxy coated wire shelves, all with adjustable mounting brackets for greater flexibility.

The bottom mounted compressor designed to hold temperatures between -10° F and 0° F.

**Conforms to UL471, CSA C22.2 and NSF 7 Standards.**

**Two Year** - Parts & Labor on entire unit. Valid in United States  
**Three Year** - Additional Compressor, Part Only

*Serv-Ware*  
[www.servware.com](http://www.servware.com)

Revised 1/18

Phone:(800).768.5953

Fax:(800).976.1299



Serv-Ware

# Reach-In Freezer

## RF-1-19 One Door

**Exterior Dimensions** 26.8" W x 25.6" D x 82.3" H  
**Net Volume** 19 cu. ft.  
**Shipping Weight** 291 lbs.  
**Exterior Material** 430 Stainless Steel  
**Interior Material** Painted Aluminum  
 304 S/S Floor  
**Insulation Material** CFC Free Foam  
**Shelf Material** Epoxy Coated Foam  
**Temperature** -10°F – 0°F  
**Refrigerant** R404A  
**Defrosting** Every 6 Hours  
**H/P** 5/8  
**Voltage / Hz / Phase** 115 / 60 / 1  
**Amps** 11  
**Nema Plug** 5-15P

## RF-1 One Door

**Exterior Dimensions** 27" W x 33" D x 82.3" H  
**Net Volume** 23 cu. ft.  
**Shipping Weight** 320 lbs.  
**Exterior Material** 430 Stainless Steel  
**Interior Material** Stainless Steel  
 202 S/S Floor  
**Insulation Material** CFC Free Foam  
**Shelf Material** Epoxy Coated Foam  
**Temperature** -10°F – 0°F  
**Refrigerant** R404A  
**Defrosting** Every 6 Hours  
**H/P** 5/8  
**Voltage / Hz / Phase** 115 / 60 / 1  
**Amps** 11  
**Nema Plug** 5-15P

## RF-2-35 Two Door

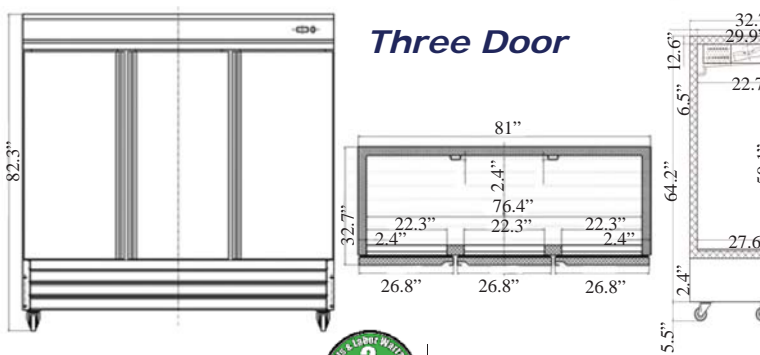
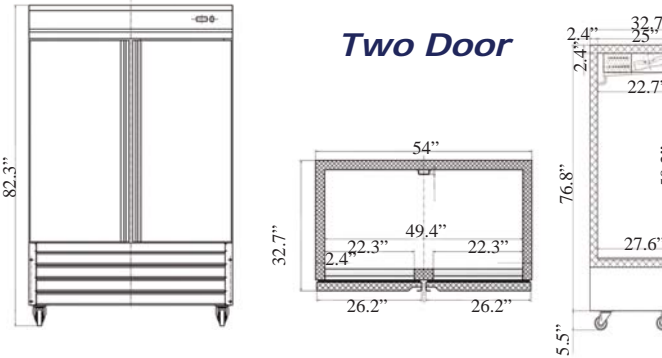
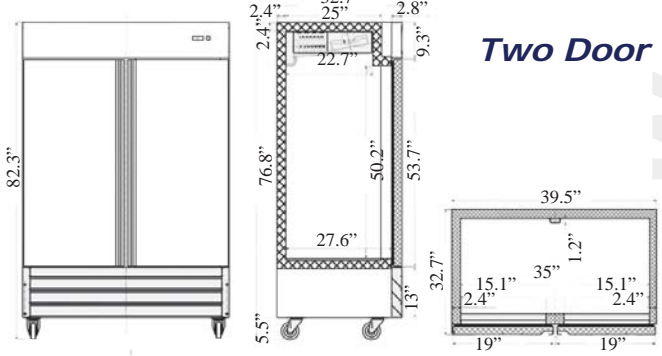
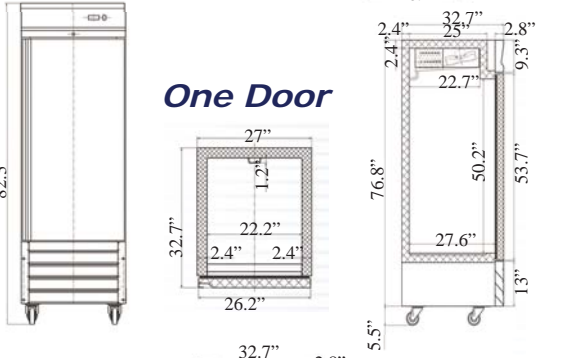
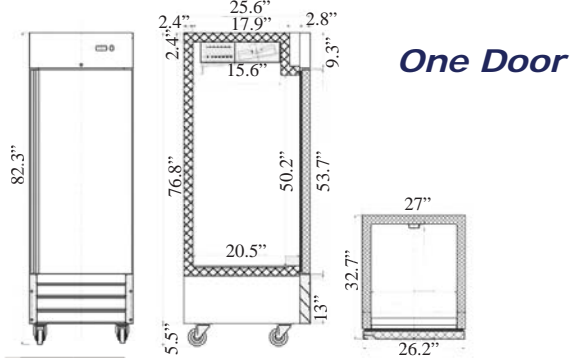
**Exterior Dimensions** 39.5" W x 32.7" D x 82.3" H  
**Net Volume** 35 cu. ft.  
**Shipping Weight** 441 lbs.  
**Exterior Material** 430 Stainless Steel  
**Interior Material** Painted Aluminum  
 304 S/S Floor  
**Insulation Material** CFC Free Foam  
**Shelf Material** Epoxy Coated Foam  
**Temperature** -10°F – 0°F  
**Refrigerant** R404A  
**Defrosting** Every 6 Hours  
**H/P** 1  
**Voltage / Hz / Phase** 115 / 60 / 1  
**Amps** 12  
**Nema Plug** 5-15P

## RF-2 Two Door

**Exterior Dimensions** 54" W x 33" D x 82.3" H  
**Net Volume** 49 cu. ft.  
**Shipping Weight** 488 lbs.  
**Exterior Material** 430 Stainless Steel  
**Interior Material** Stainless Steel  
 202 S/S Floor  
**Insulation Material** CFC Free Foam  
**Shelf Material** Epoxy Coated Foam  
**Temperature** -10°F – 0°F  
**Refrigerant** R404A  
**Defrosting** Every 6 Hours  
**H/P** 1  
**Voltage / Hz / Phase** 115 / 60 / 1  
**Amps** 12  
**Nema Plug** 5-15P

## RF-3 Three Door

**Exterior Dimensions** 81" W x 33" D x 82.3" H  
**Net Volume** 72 cu. ft.  
**Shipping Weight** 706 lbs.  
**Exterior Material** 430 Stainless Steel  
**Interior Material** Stainless Steel  
 202 S/S Floor  
**Insulation Material** CFC Free Foam  
**Shelf Material** Epoxy Coated Foam  
**Temperature** -10°F – 0°F  
**Refrigerant** R404A  
**Defrosting** Every 6 Hours  
**H/P** 1-1/4  
**Voltage / Hz / Phase** 230 / 60 / 1  
**Amps** 16  
**Nema Plug** L14-20 P



Serv-Ware  
www.servware.com

Phone: (800).768.5953

Revised 1/18

Fax: (800).976.1299

