

Item# _____
Project: _____
Qty: _____

Glass Door Reach-In Refrigerator - Stainless Steel

RR-1-27G



RR-2-49G



Serv-Ware

Features

- CFC Free Refrigerant and Foam
- Electronic Thermostat and Digital LED Temperature Display for Accurate Control and Easy Reading
- Self-Closing Door
- Magnetic Gasket can be Replaced without any Tool
- Heating Element Conceal in Door Frame to Eliminate any Condensation
- Material: External: S/S 430
Bottom of Internal: S/S 304, other Parts of Internal:
Aluminum Painted

Serv-Ware GR Series Refrigerators are UL Safety and UL Sanitation Approved.

Featured with aluminum painted interior, heavy duty 304 stainless steel floor, 430 stainless steel exterior and self-closing glass doors, digital controls with a LED readout and foamed in place polyurethane cell insulation. Unit is shipped with wheels installed.

The bottom mounted compressor designed to hold temperatures between 33° F and 41° F.

Conforms to UL471, CSA C22.2 and NSF 7 Standards.

Two Year - Parts & Labor on entire unit. Valid in United States
Three Year - Additional Compressor, Part Only



Serv-Ware
www.servware.com

Phone:(800).768.5953

Revised 1/18

Fax:(800).976.1299



Item# _____

Project: _____

Qty: _____

Glass Door Reach-In Refrigerator - Stainless Steel

RR-1-27G

Dimensions

Exterior Dimensions 26.8" W x 31.9" D x 82.7" H
Net Volume 23 cu. ft.
Shipping Weight 351 lbs.

Construction

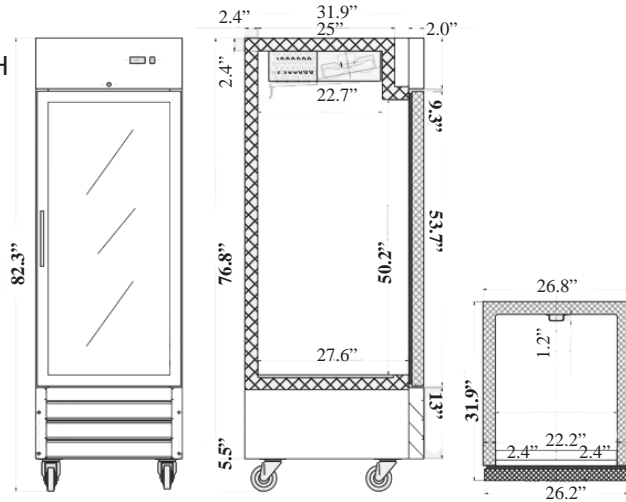
Exterior Material 430 Stainless Steel
Interior Material Painted Aluminum
304 S/S Floor
Insulation Material CFC Free Foam
Shelf Material 3 Epoxy Coated Wire

Cooling

Temperature Range 33°F – 41°F
Refrigerant R13A4
Defrosting Every 6 Hours
H/P 3/8

Electrical

Voltage 115
Amps 6
Hz 60
Phase 1



RR-2-49G

Dimensions

53.9" W x 31.9" D x 82.7" H
49 cu. ft.
538 lbs.

Construction

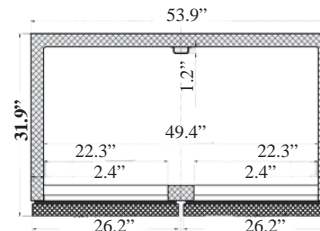
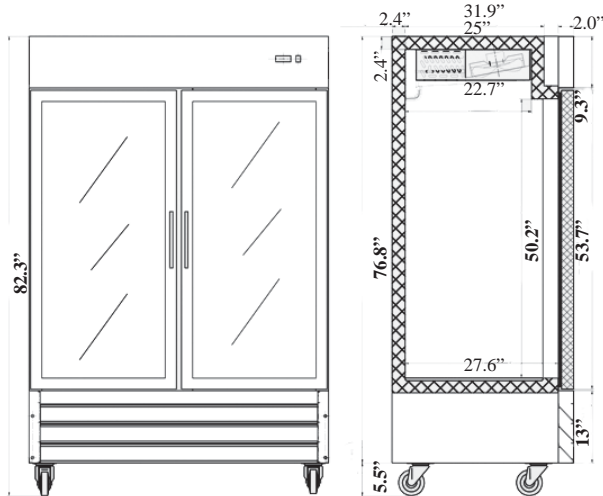
Exterior Material 430 Stainless Steel
Interior Material Painted Aluminum
304 S/S Floor
Insulation Material CFC Free Foam
Shelf Material 3 Epoxy Coated Wire

Cooling

Temperature Range 33°F – 41°F
Refrigerant R13A4
Defrosting Every 6 Hours
H/P 1/2

Electrical

Voltage 115
Amps 9
Hz 60
Phase 1



Serv-Ware
www.servware.com

Phone: (800).768.5953

Revised 1/18

Fax: (800).976.1299

