

Item# _____
Project: _____
Qty: _____

Chef Base

CB48
50"



CB60
62"



CB72
74"



Serv-Ware

Features

- CFC Free Refrigerant and Foam
- Stainless Steel Framework Construction
- Electronic Thermostat and Digital LED Temperature Display
- Auto Defrosting and Auto Evaporation of Condensation
- Magnetic Gaskets
- 1 Year Parts & Labor Warranty. Additional 4 Year Compressor Part Warranty

One Year - Parts & Labor on entire unit. Valid in United States
Four Year - Additional Compressor, Part Only



Serv-Ware
www.servware.com

Phone:(800).768.5953

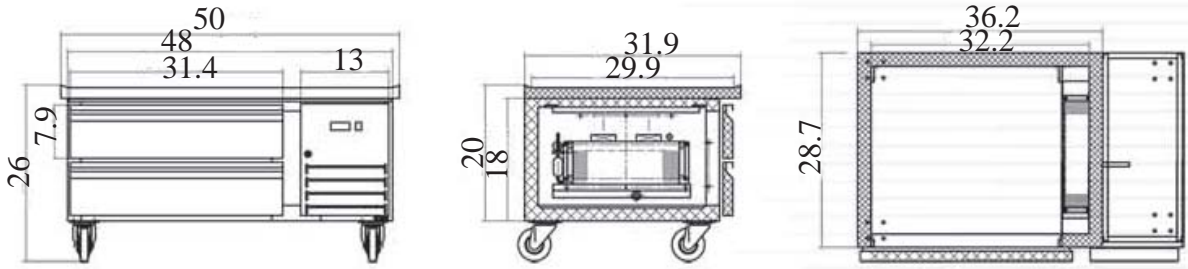
Revised 12/17

Fax:(800).976.1299

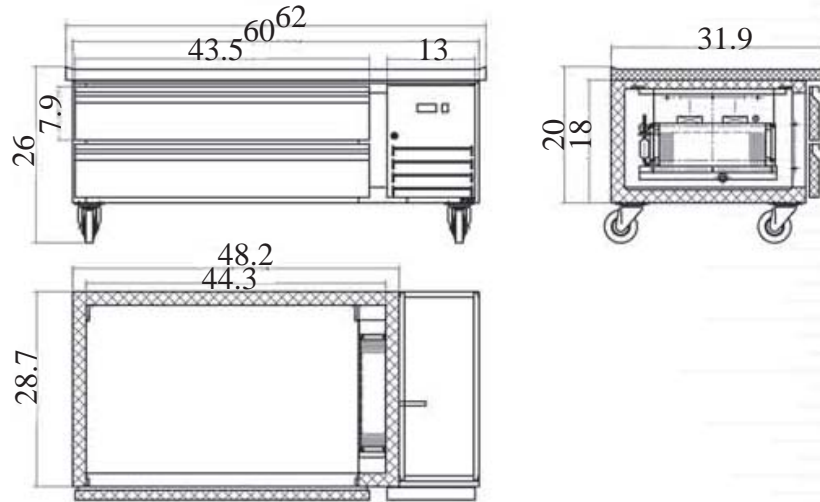


Chef Base

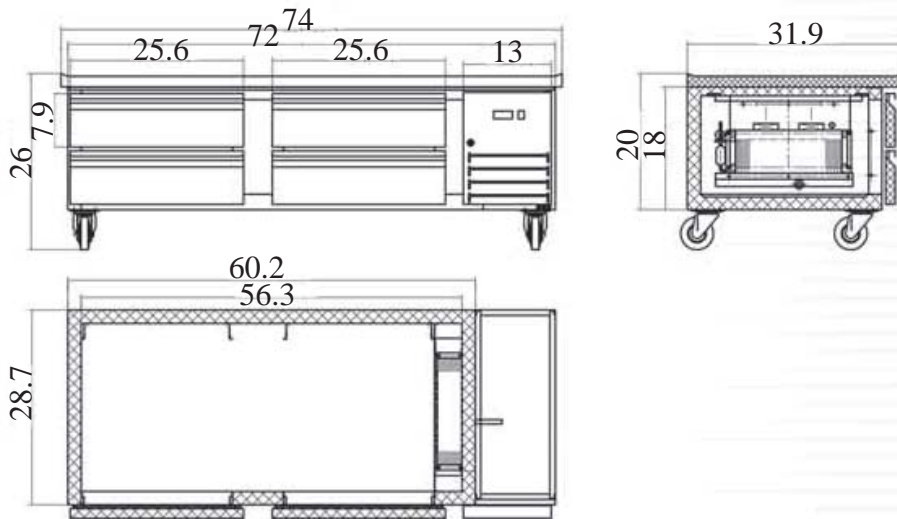
CB48
50"



CB60
62"



CB72
74"



MODEL	EXTERNAL DIMENSION inch (W x D x H)	V/Hz/Ph	AMPS	TEMPERATURE	NEMA PLUG	DRAWERS	WEIGHT (Shipping)	WEIGHT CAPACITY	Cubic Ft.
CB48	50" x 32" x 26"	115V/60Hz/1	6	33° F—41°F	5-15P	2	250 lbs.	450 lbs.	6.5
CB60	62" x 32" x 26"	115V/60Hz/1	6	33° F—41°F	5-15P	2	270 lbs.	450 lbs.	8.8
CB72	74" x 32" x 26"	115V/60Hz/1	6	33° F—41°F	5-15P	4	355 lbs.	600 lbs.	11.1



Serv-Ware
www.servware.com

Phone: (800).768.5953

Revised 12/17

Fax: (800).976.1299

