

Item# _____
Project: _____
Qty: _____

Slicer

SLC-12



Features

- 12" Hardened alloy knife for durability with dual stone knife sharpener
- Dial adjustable slice thickness (0" - 9/16")
- 1/3 HP fan cooled with thermal overload protection
- 120 Volt NEMA 5-15 P
- Belt driven knife
- Non-slip feet
- Removeable gravity feed angled chute with safety guard
- Fully covered electrical and belt drive area
- Stain resistant anodized aluminum finish
- Moisture proof ON/OFF switch

One Year - Parts & Labor on entire unit. Valid in United States



Serv-Ware
www.servware.com

Phone:(800).768.5953

Revised 7/17

Fax:(800).976.1299



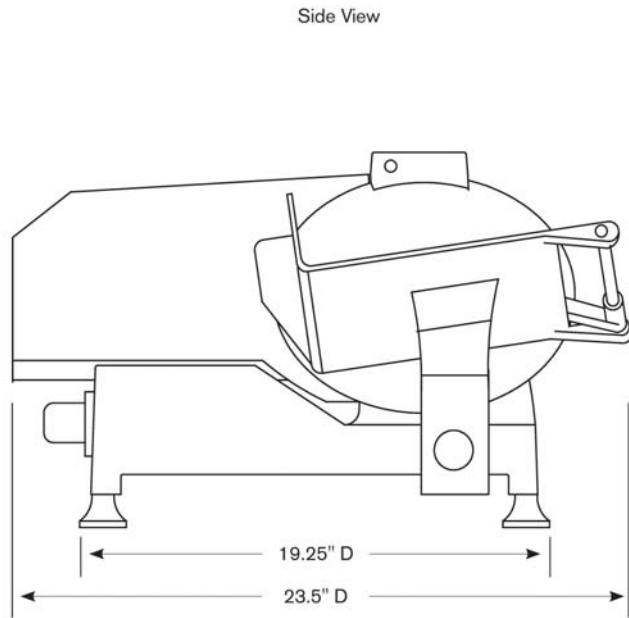
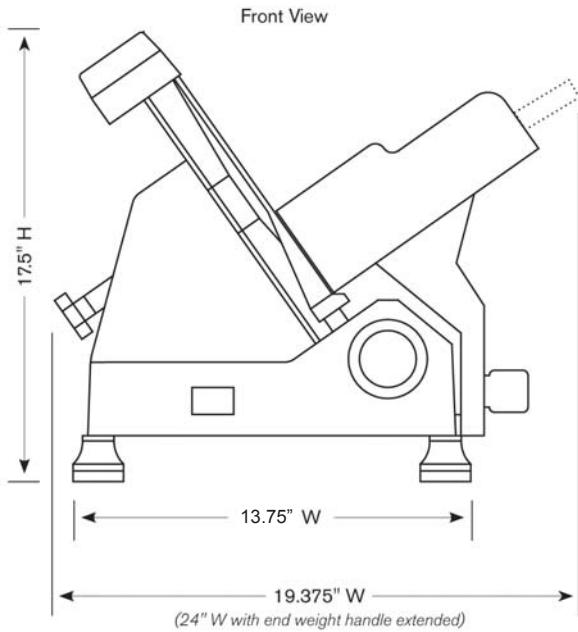
Serv-Ware

Item# _____

Project: _____

Qty: _____

Slicer



Serv-Ware

MODEL	MOTOR	VOLTS/HZ/PH	AMPS	DRIVE TYPE	BLADE DIAMETER	MAX SLICE	OVERALL DIMENSIONS (W x D x H)	WEIGHT (Shipping)
SLC-12	1/3 HP	115/60/1	3	Belt	12"	9/16"	24" x 23.5" x 17.5"	57 lbs.



Serv-Ware
www.servware.com
Phone: (800).768.5953

Revised 7/17
Fax: (800).976.1299

