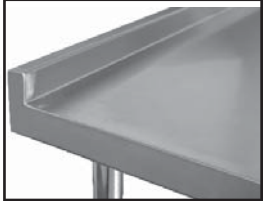


Item# _____
Project: _____
Qty: _____

Open Base Work Table with Turnup Stainless Steel 18 Gauge

2" Closed end
turnup



Serv-Ware

Features

- 430 Series Stainless Steel Top
- 18 Gauge Construction
- No Under Shelf
- Galvanized Legs with Plastic Feet Inserts
- 2" "Closed End" Turnup



Serv-Ware
www.servware.com

Phone:(800).768.5953

Fax:(800).976.1299

Revised 11/16

304
Stainless Steel

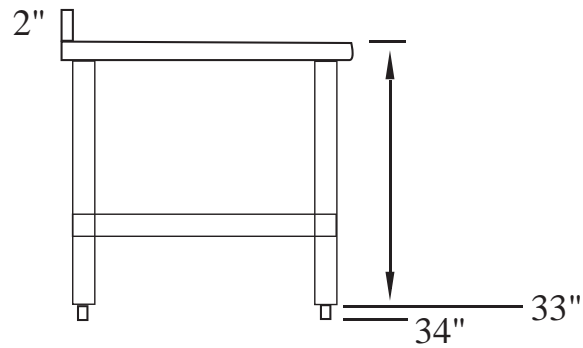
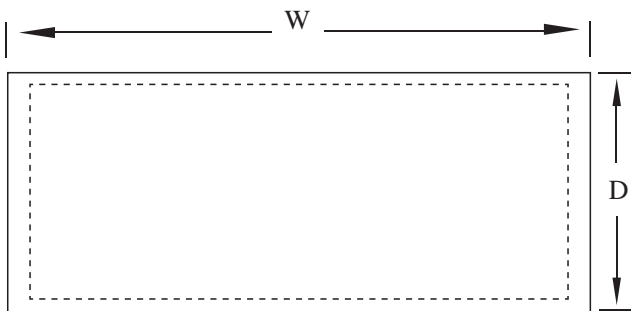


Item# _____

Project: _____

Qty: _____

Open Base Work Table with Turnup Stainless Steel 18 Gauge



Model

Size

Weight/lbs

	(D x W)	(Shipping)
T2424CWP-4-T-OB	24" x 24"	33
T2430CWP-4-T-OB	24" x 30"	36
T2436CWP-4-T-OB	24" x 36"	40
T2448CWP-4-T-OB	24" x 48"	47
T2460CWP-4-T-OB	24" x 60"	55
T2472CWP-4-T-OB	24" x 72"	62
T3018CWP-4-T-OB	30" x 18"	31
T3024CWP-4-T-OB	30" x 24"	35
T3030CWP-4-T-OB	30" x 30"	39
T3036CWP-4-T-OB	30" x 36"	44
T3048CWP-4-T-OB	30" x 48"	52
T3060CWP-4-T-OB	30" x 60"	60
T3072CWP-4-T-OB	30" x 72"	69

Serv-Ware



Serv-Ware
www.servware.com

Phone: (800).768.5953

Fax: (800).976.1299

Revised 11/16

