

Item# _____
Project: _____
Qty: _____

Mega Top Prep Table

SP29-12M
1 Door Mega Top
Prep Unit



12 Pan Unit

SP48-18M / SP60-24M
2 Door Mega Top
Prep Unit



18 OR 24 Pan Unit

SP72-27M
3 Door Mega Top
Prep Unit



27 Pan Unit

Features

- Electronic Thermostat and Digital LED
- 1/6 size pans included
- Cutting board included
- Stainless steel front & sides
- Self closing doors remain open past 90°
- R134A Refrigerant
- Slide out condenser
- Full length integrated door handle
- Casters with two front brakes

Serv-Ware SP Series Prep Tables are UL Safety and UL Sanitation Approved.

Featured with Stainless Steel exterior, ABS interior liner, Aluminum back, self-closing door, digital controls with a LED readout, foamed in place polyurethane cell insulation, stainless steel slide rail work area with cutting board and a cold topping holding area. The hinged cover helps keep your condiments, meats, and vegetables cold during off-peak hours. Unit is shipped with casters installed (2 Brake and 2 Non Brake).

1/6 size pan plastic pans are included with 1 epoxy coated wire shelf per door, all with adjustable mounting brackets for greater flexibility.

The rear mounted compressor is designed to hold temperatures between 33°F and 41°F.

Conforms to UL471, CSA C22.2 and NSF 7 Standards.

Two Year - Parts & Labor on entire unit. Valid in United States
Three Year - Additional Compressor, Part Only



Serv-Ware
www.servware.com

Phone:(800).768.5953

Revised 2/17

Fax:(800).976.1299



Serv-Ware

Mega Top Prep Table

Dimensions

12 Pan Unit

Exterior Dimensions 28.7" W x 30" D x 43.2" H
 Net Volume 7 cu. ft. (SP29-12M)
 Net Weight 227 lbs

18 Pan Unit

Exterior Dimensions 48.2" W x 30" D x 43.2" H
 Net Volume 12 cu. ft.
 Net Weight 319 lbs

Construction

Exterior Material Stainless Steel
 Interior Material ABS with S/S Floor
 Insulation Material CFC Free Foam
 Shelf Material Epoxy Coated Wire

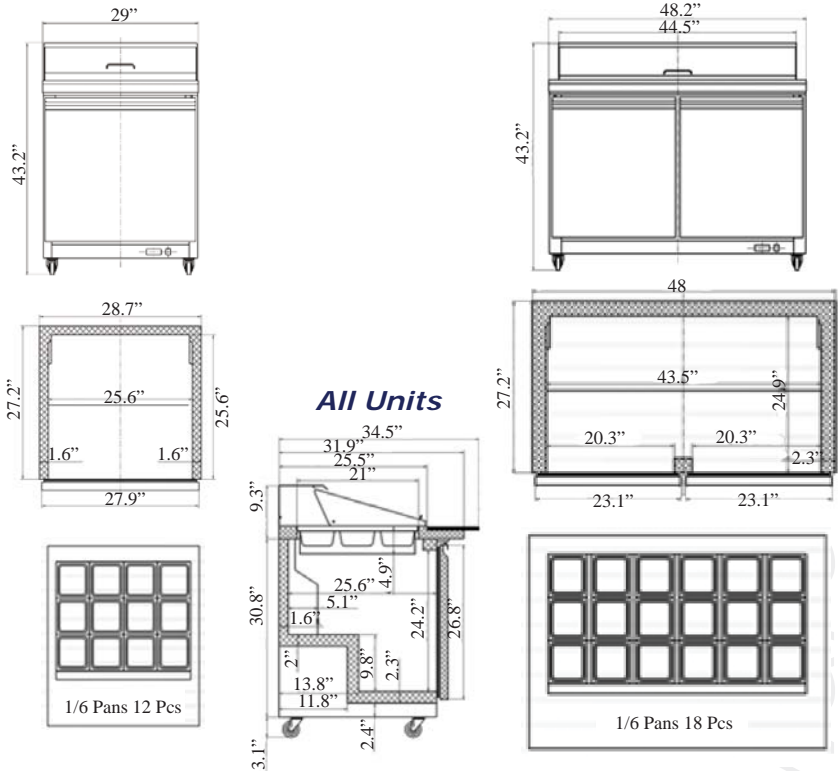
Cooling

Temperature Range 33°F – 41°F
 Refrigerant R134A
 Defrosting Every 6 Hours
 H/P 1/4 (SP29-12M)
 3/8 (SP48-18M)

Electrical

Voltage 115
 Amps 5 (SP29-12M)
 7 (SP48-18M)
 Hz 60
 Phase 1

SP29-12M / SP48-18M



SP60-24M / SP72-27M

Dimensions

24 Pan Unit

Exterior Dimensions 61.2" W x 30" D x 43.2" H
 Net Volume 15.5 cu. ft.
 Net Weight 382 lbs

27 Pan Unit

Exterior Dimensions 71.7" W x 30" D x 43.2" H
 Net Volume 18 cu. ft.
 Net Weight 447 lbs

Construction

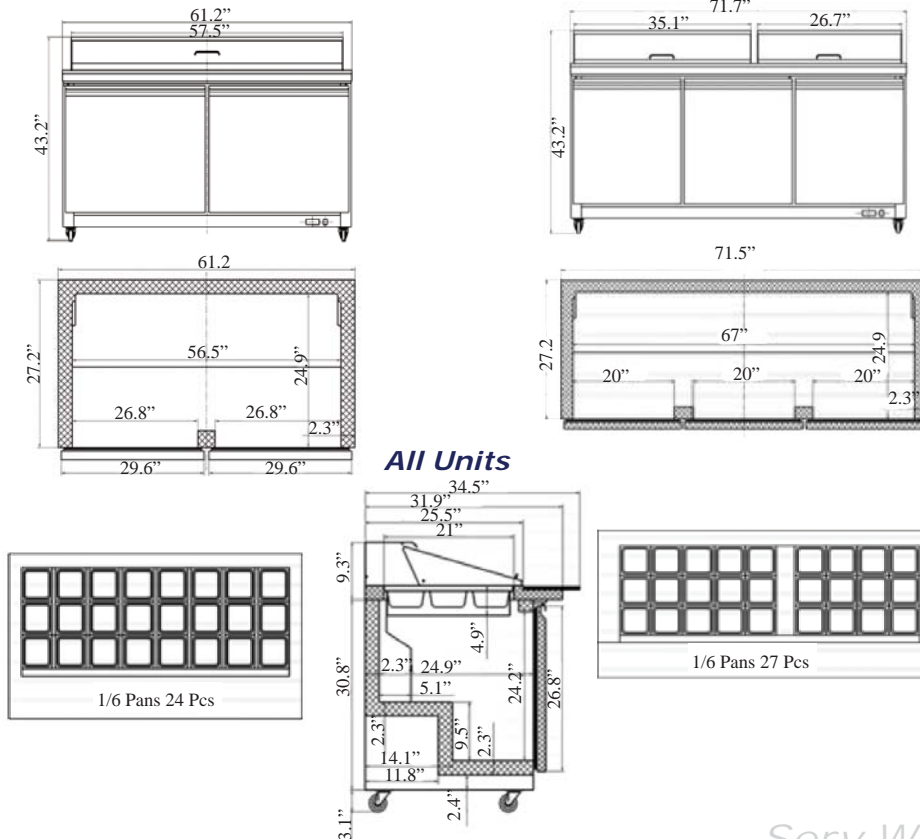
Exterior Material Stainless Steel
 Interior Material ABS with S/S Floor
 Insulation Material CFC Free Foam
 Shelf Material Epoxy Coated Wire

Cooling

Temperature Range 33°F – 41°F
 Refrigerant R134A
 Defrosting Every 6 Hours
 H/P 3/8

Electrical

Voltage 115
 Amps 7.5 (SP60-24M)
 7 (SP72-27M)
 Hz 60
 Phase 1



www.servware.com

Phone: (800).768.5953

Serv-Ware
 Revised 2/17

Fax: (800).976.1299

