

Item# \_\_\_\_\_  
Project: \_\_\_\_\_  
Qty: \_\_\_\_\_

# Undercounter Refrigerator & Freezer

*UCR-27*



*UCR-48 / UCF-48*



Serv-Ware

## Features

- Electronic Thermostat & Digital LED Temperature Display
- High Efficiency CFC Free Insulation
- Auto Defrosting & Auto Evaporation of Condensation Water
- Stainless Steel Front & Sides
- Self-Closing Doors, Remain Open Past 90°
- Shipped with Casters Installed

**Conforms to UL471, CSA C22.2 and NSF 7 Standards.**

**Two Year** - Parts & Labor on entire unit. Valid in United States  
**Three Year** - Additional Compressor, Part Only



Serv-Ware  
[www.servware.com](http://www.servware.com)

Phone:(800).768.5953

Revised 1/17

Fax:(800).976.1299

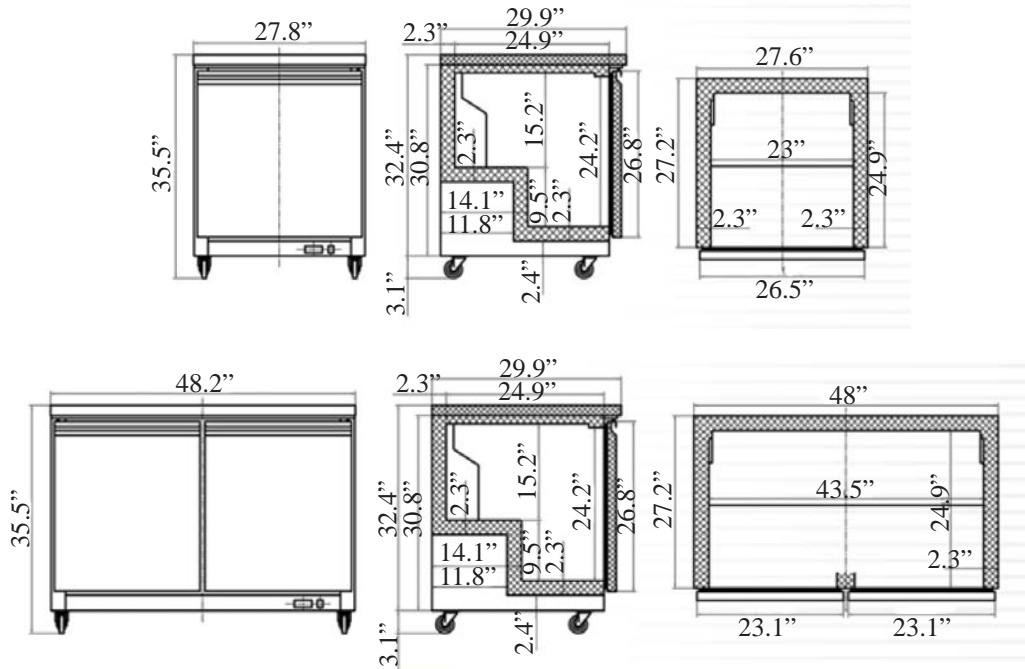


Item# \_\_\_\_\_

Project: \_\_\_\_\_

Qty: \_\_\_\_\_

# Undercounter Refrigerator & Freezer



## 27" Refrigerator

**Exterior Dimensions** 27.8" W x 29.9" D x 35.5" H  
**Net Volume** 6.5 cu. ft.  
**Net Weight** 185 lbs

## 48" Refrigerator

**Exterior Dimensions** 48.2" W x 29.9" D x 35.5" H  
**Net Volume** 12 cu. ft.  
**Net Weight** 267 lbs

## Construction

**Exterior Material** Stainless Steel  
**Interior Material** ABS with S/S Floor  
**Insulation Material** CFC Free Foam  
**Shelf Material** Epoxy Coated Wire

## Cooling

**Temperature Range** 33°F – 41°F  
**Refrigerant** R134A  
**Defrosting** Every 6 Hours  
**H/P** 1/4

## Electrical

**Voltage** 115  
**Amps** 5 (UCR-27 & UCR-48)  
**Hz** 60  
**Phase** 1  
**Nema Plus** 5-15P

## 48" Freezer

**Exterior Dimensions** 48.2" W x 29.9" D x 35.5" H  
**Net Volume** 12 cu. ft.  
**Net Weight** 289 lbs

## Construction

**Exterior Material** Stainless Steel  
**Interior Material** ABS with S/S Floor  
**Insulation Material** CFC Free Foam  
**Shelf Material** Epoxy Coated Wire

## Cooling

**Temperature Range** -10°F – 10°F  
**Refrigerant** R404A  
**Defrosting** Every 6 Hours  
**H/P** 5/8

## Electrical

**Voltage** 115  
**Amps** 9  
**Hz** 60  
**Phase** 1  
**Nema Plug** 5-15P

Serv-Ware



Serv-Ware  
[www.servware.com](http://www.servware.com)

Phone: (800).768.5953

Revised 1/17

Fax: (800).976.1299

