

Item# _____
Project: _____
Qty: _____

Twist Waste Valve with Overflow Cap



Serv-Ware

Features

- Removeable Snap-In Strainer
- Heat Resistant Plastic Handle
- Fits 3.5" Sink Opening
- 2" Outlet
- 2" x 1.5" Outlet Adaption Included



Serv-Ware
www.servware.com

Phone:(800).768.5953

Fax:(800).976.1299

Revised 1/17

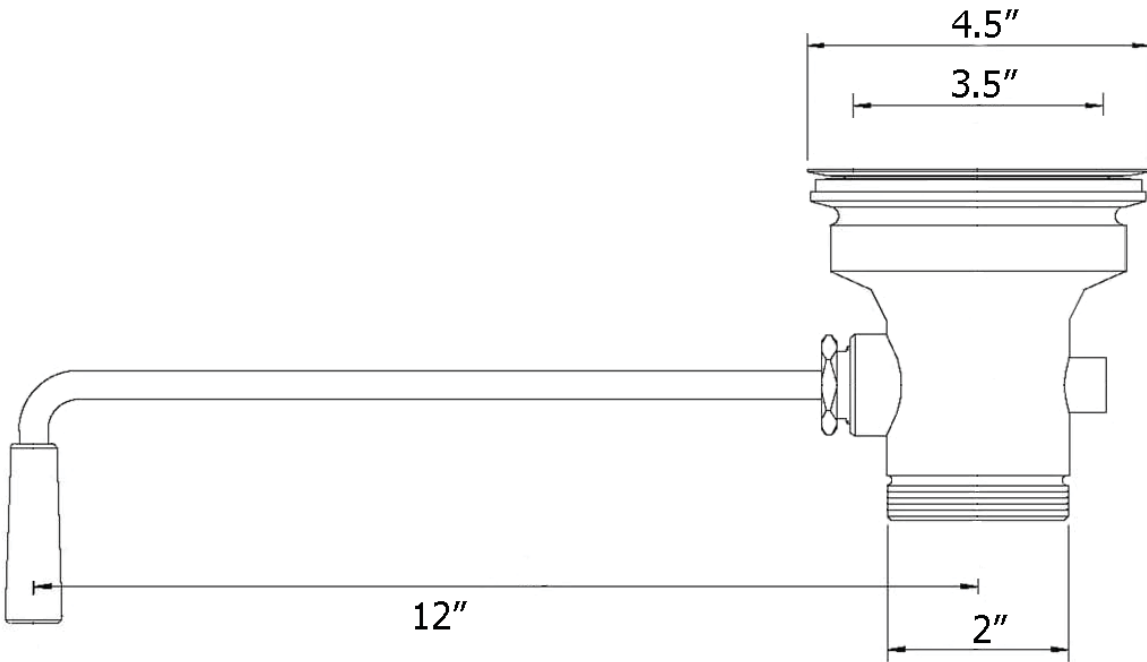


Item# _____

Project: _____

Qty: _____

Twist Waste Valve with Overflow Cap



Serv-Ware

Model

Weight/lbs

(Shipping)

5D-35T-20A

4



Serv-Ware
www.servware.com

Phone:(800).768.5953

Fax:(800).976.1299

Revised 1/17

