

Item# _____
Project: _____
Qty: _____

Tubular Slant Rack



Serv-Ware

Features

- 16 Gauge 430 Stainless Steel
- 18 Gauge, 1 $\frac{5}{8}$ " Diameter Support Tubes
- Side Brackets Drilled for Wall Mounting



Serv-Ware
www.servware.com

Phone:(800).768.5953

Fax:(800).976.1299

Revised 11/16

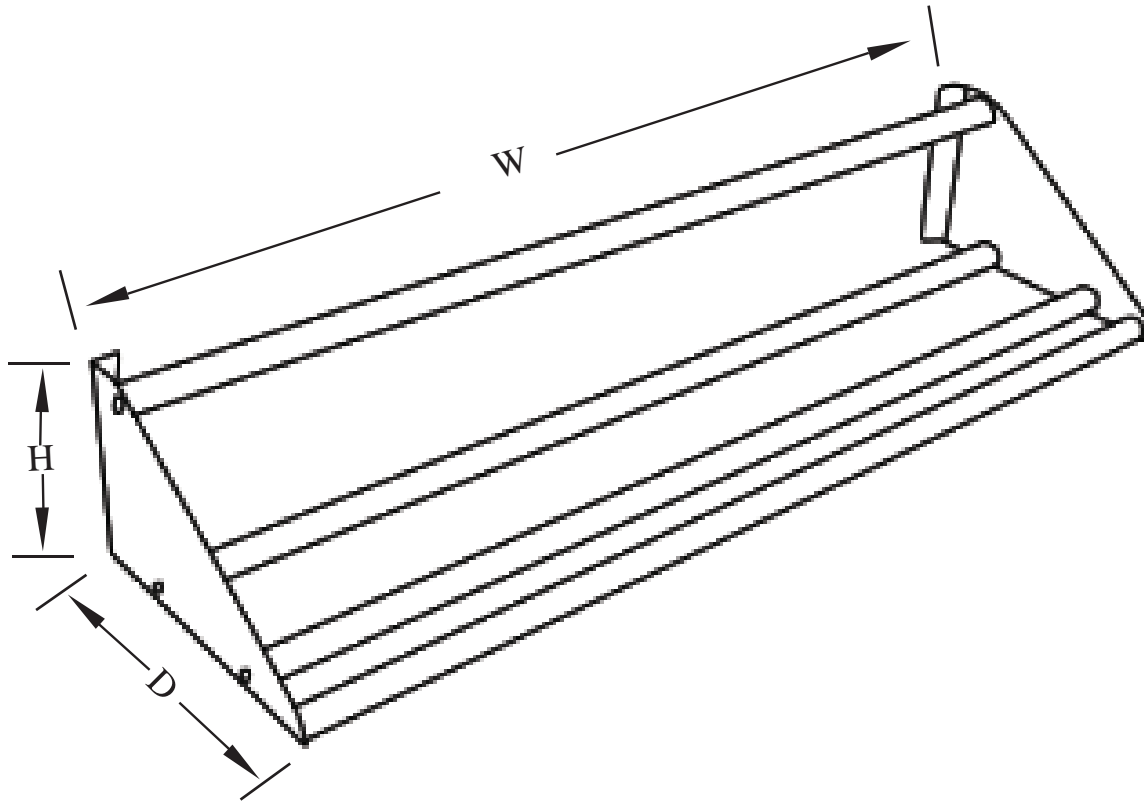


Item# _____

Project: _____

Qty: _____

Tubular Slant Rack



Serv-Ware

Model

Dimensions

Weight / lbs.

SRT22-CWP
SRT42-CWP
SRT62-CWP

(W x H x D)
22" x 11.25" x 18"
42" x 11.25" x 18"
62" x 11.25" x 18"

(Shipping)
12
18
25



Serv-Ware
www.servware.com

Phone:(800).768.5953

Fax:(800).976.1299

Revised 11/16

