

Item# _____
Project: _____
Qty: _____

Stainless Steel Drawer



Serv-Ware

Features

- 304 Series Stainless Steel, 16 Gauge
- Rugged Construction for Demanding Environments
- Maximize Counter Space
- Easy Glide Quiet Slide Out Storage
- SSD-24-CWP 14.5" x 19.5" Storage Area
- SSD-30-CWP 20" x 20" Storage Area
- "Safety-Stops" Prevent Drawer Pullout
- Hardware Included for Installation



Serv-Ware
www.servware.com

Phone:(800).768.5953

Fax:(800).976.1299

Revised 6/17

304
Stainless Steel



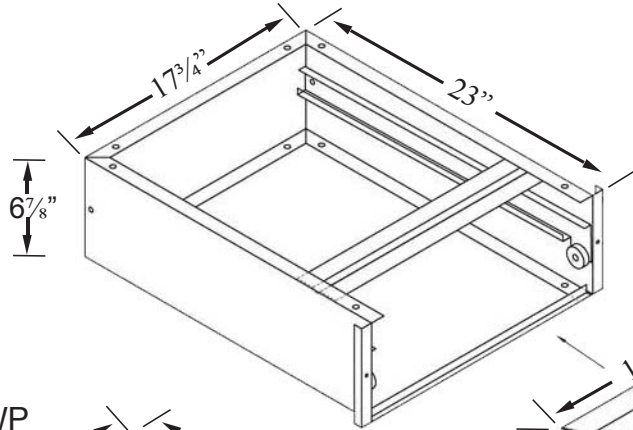
Item# _____

Project: _____

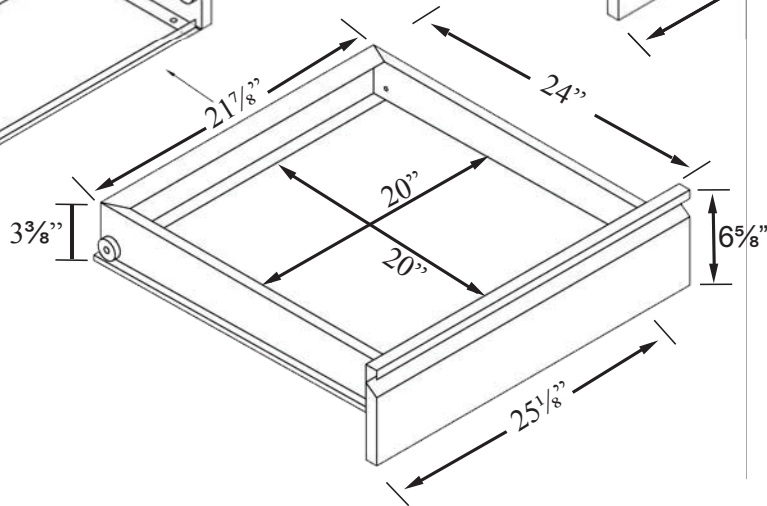
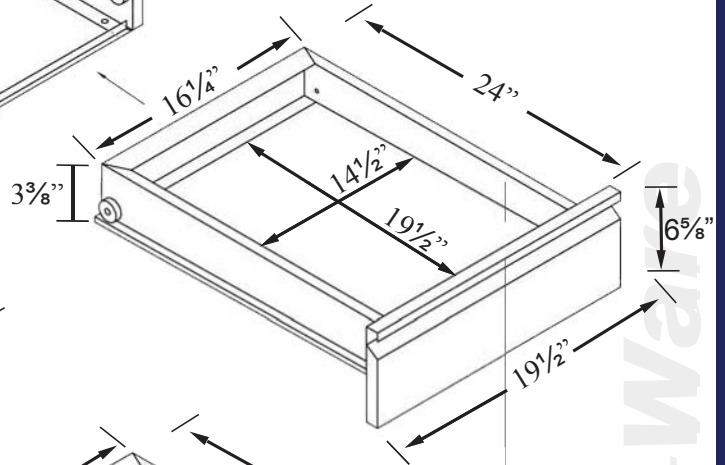
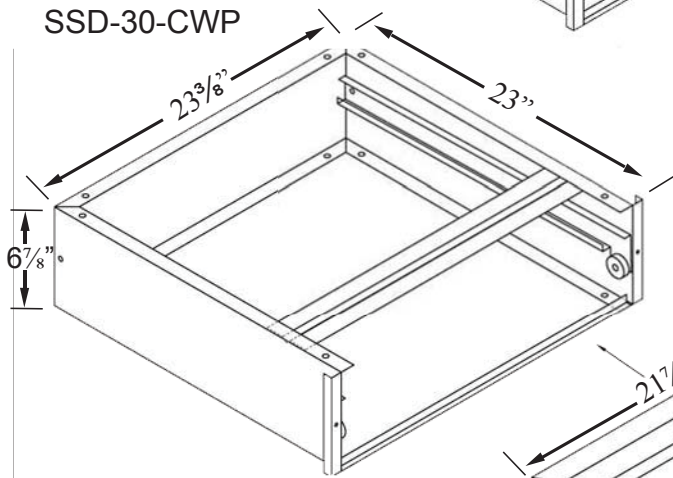
Qty: _____

Stainless Steel Drawer

SSD-24-CWP



SSD-30-CWP



Model

Description

Weight/lbs

(Shipping)

SSD-24-CWP For 24" Deep Worktables (fits 30" wide and up)

12

SSD-30-CWP For 30" Deep Worktables (fits 36" wide and up)

15



Serv-Ware
www.servware.com

Phone: (800).768.5953

Fax: (800).976.1299

Revised 6/17

