

Item# _____
Project: _____
Qty: _____

Stainless Steel Economy Series Bus Cart



Serv-Ware

Features

- 3 Tier Stainless Steel Economy Cart
- 24 Gauge (UC-1630S3A & UC-1834M3A)
- 22 Gauge (UC-2037L3B)
- Stainless Steel Tubing
- 201 Series S/S with 5" Casters (2 Brake)
- Nonadjustable Shelves
- Easy to Assemble
- Will Hold up to 180 lbs of Evenly Distributed Weight



Serv-Ware
www.servware.com

Phone:(800).768.5953

Fax:(800).976.1299

Revised 11/16

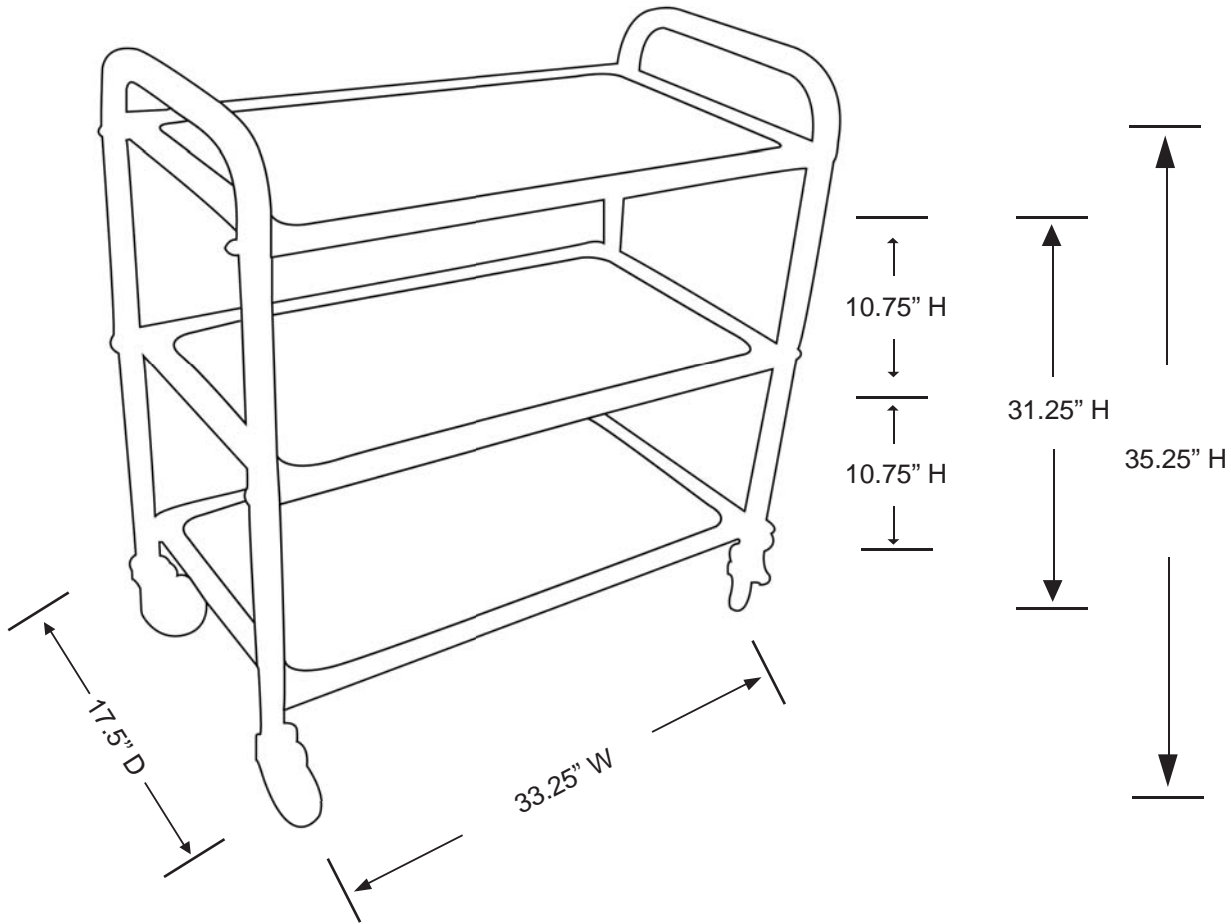


Item# _____

Project: _____

Qty: _____

Stainless Steel Economy Series Bus Cart



Serv-Ware

Model

Weight Capacity

Dimensions

Weight/lbs

(D x W)

(Shipping)

UC-1630S3A
UC-1834M3A
UC-2037L3B

55 lbs. Per Shelf
77 lbs. Per Shelf
110 lbs. Per Shelf

16" x 30"
18" x 34"
20" x 37"

26
33
40



Serv-Ware
www.servware.com

Phone: (800).768.5953

Fax: (800).976.1299

Revised 11/16

