

Item# _____
Project: _____
Qty: _____

Soiled Dish Table



Serv-Ware

Features

- 304 Series Stainless Steel
- 16 Gauge Construction
- 4½" Backsplash (11" from Deck to Tile Edge)
- 6" Deep Bowls
- 1⅝" Galvanized Legs with Adjustable Foot
- Left and Right Models Available



Serv-Ware
www.servware.com

Phone:(800).768.5953

Fax:(800).976.1299

Revised 1/17

304
Stainless Steel

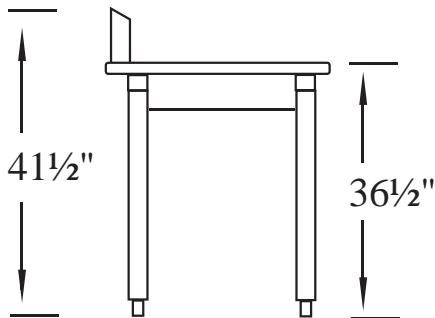
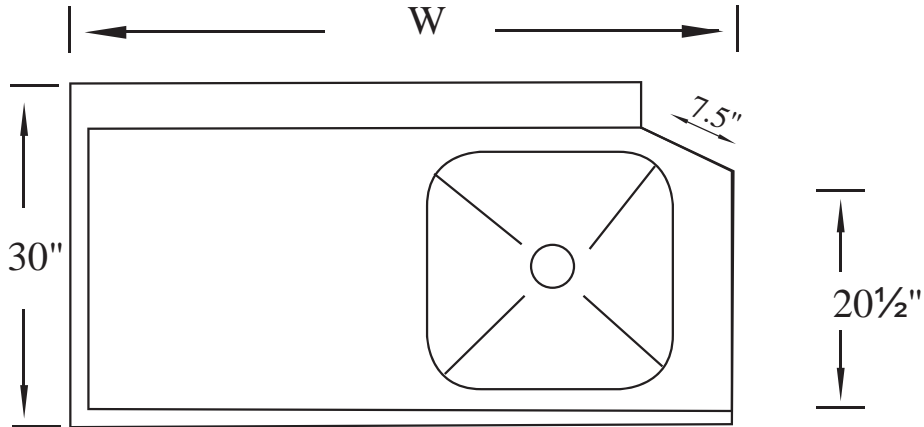


Item# _____

Project: _____

Qty: _____

Soiled Dish Table



Serv-Ware

<i>Left</i>	<i>Right</i>	<i>Bowl Size</i>	<i>Width</i>	<i>Weightlbs</i>
		W x D x H		(Shipping)
DDT36L-CWP	DDT36R-CWP	20" x 20" x 6"	36"	48
DDT48L-CWP	DDT48R-CWP	20" x 20" x 6"	48"	60
DDT60L-CWP	DDT60R-CWP	20" x 20" x 6"	60"	68
DDT72L-CWP	DDT72R-CWP	20" x 20" x 6"	72"	80

*S/S legs optional



Serv-Ware
www.servware.com

Phone:(800).768.5953

Fax:(800).976.1299

Revised 1/17

