

Item# _____
Project: _____
Qty: _____

Reach-In Refrigerator



Features

- Now with stainless steel interior *
- Electronic Thermostat and Digital LED Temperature Display
- High Efficiency CFC Free Insulation
- Stainless Steel Front and Sides
- Self-Closing Doors with Full Length Handle, Remain Open Past 90°
- 3 Shelves Per Door
- Shipped with Casters Installed

Serv-Ware RR Series Refrigerators are UL Safety and UL Sanitation Approved.

Featured with an aluminum painted interior, heavy duty 202 series stainless steel floor, 304 stainless steel floor on models RR-1-19 and RR-2-35, 430 series stainless steel exterior door & front panel, self-closing lockable doors, digital controls with a LED readout and foamed in place polyurethane cell insulation. Unit is shipped with casters installed (2 Brake and 2 Non Brake).

The single door includes 3 epoxy coated wire shelves, the double door includes 6 epoxy coated wire shelves and the triple door includes 9 epoxy coated wire shelves, all with adjustable mounting brackets for greater flexibility.

The bottom mounted compressor designed to hold temperatures between 33° F and 41° F.

Conforms to UL471, CSA C22.2 and NSF 7 Standards.

Two Year - Parts & Labor on entire unit. Valid in United States
Three Year - Additional Compressor, Part Only



Serv-Ware
www.servware.com

Phone:(800).768.5953

Revised 2/17

Fax:(800).976.1299



Serv-Ware

Reach-In Refrigerator

RR-1-19 One Door

Exterior Dimensions	26.8" W x 25.6" D x 82.3" H
Net Volume	19 cu. ft.
Net Weight	275 lbs.
Exterior Material	430 Stainless Steel
Interior Material	Painted Aluminum
	304 S/S Floor
Insulation Material	CFC Free Foam
Shelf Material	Epoxy Coated Foam
Temperature	33°F - 41°F
Refrigerant	R134A
Defrosting	Every 6 Hours
H/P	$\frac{3}{8}$
Voltage / Hz / Phase	115 / 60 / 1
Amps	6
Nema Plug	5-15P

RR-1 One Door

Exterior Dimensions	27" W x 33" D x 82.3" H
Net Volume	23 cu. ft.
Net Weight	314 lbs.
Exterior Material	430 Stainless Steel
Interior Material	Painted Aluminum
	202 S/S Floor
Insulation Material	CFC Free Foam
Shelf Material	Epoxy Coated Foam
Temperature	33°F - 41°F
Refrigerant	R134A
Defrosting	Every 6 Hours
H/P	$\frac{3}{8}$
Voltage / Hz / Phase	115 / 60 / 1
Amps	6
Nema Plug	5-15P

RR-2-35 Two Door

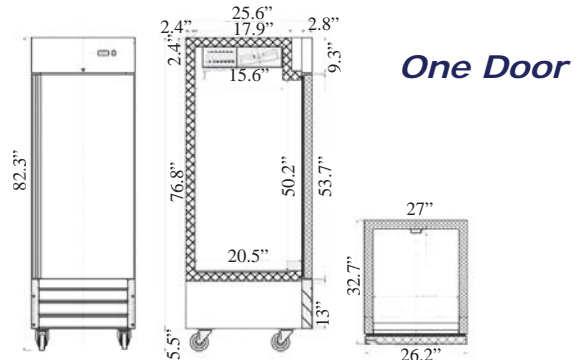
Exterior Dimensions	39.5" W x 32.7" D x 82.3" H
Net Volume	35 cu. ft.
Net Weight	420 lbs.
Exterior Material	430 Stainless Steel
Interior Material	Painted Aluminum
	304 S/S Floor
Insulation Material	CFC Free Foam
Shelf Material	Epoxy Coated Foam
Temperature	33°F - 41°F
Refrigerant	R134A
Defrosting	Every 6 Hours
H/P	$\frac{1}{2}$
Voltage / Hz / Phase	115 / 60 / 1
Amps	9
Nema Plug	5-15P

RR-2 Two Door

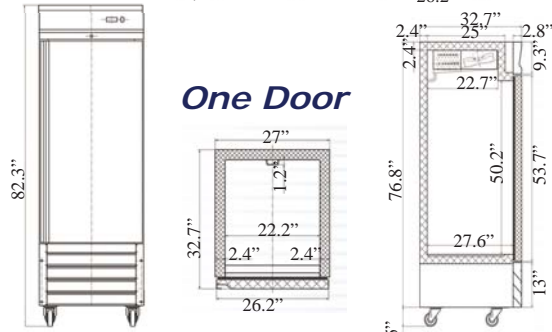
Exterior Dimensions	54" W x 33" D x 82.3" H
Net Volume	49 cu. ft.
Net Weight	460 lbs.
Exterior Material	430 Stainless Steel
Interior Material	Painted Aluminum
	202 S/S Floor
Insulation Material	CFC Free Foam
Shelf Material	Epoxy Coated Foam
Temperature	33°F - 41°F
Refrigerant	R134A
Defrosting	Every 6 Hours
H/P	$\frac{1}{2}$
Voltage / Hz / Phase	115 / 60 / 1
Amps	9
Nema Plug	5-15P

RR-3 Three Door

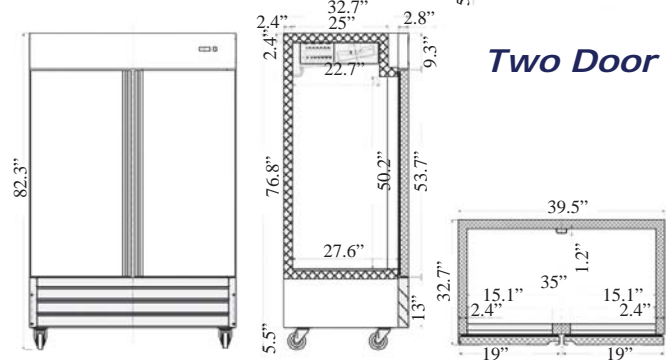
Exterior Dimensions	81" W x 33" D x 82.3" H
Net Volume	72 cu. ft.
Net Weight	668 lbs.
Exterior Material	430 Stainless Steel
Interior Material	Painted Aluminum
	202 S/S Floor
Insulation Material	CFC Free Foam
Shelf Material	Epoxy Coated Foam
Temperature	33°F - 41°F
Refrigerant	R134A
Defrosting	Every 6 Hours
H/P	$\frac{3}{4}$
Voltage / Hz / Phase	115 / 60 / 1
Amps	10
Nema Plug	5-15 P



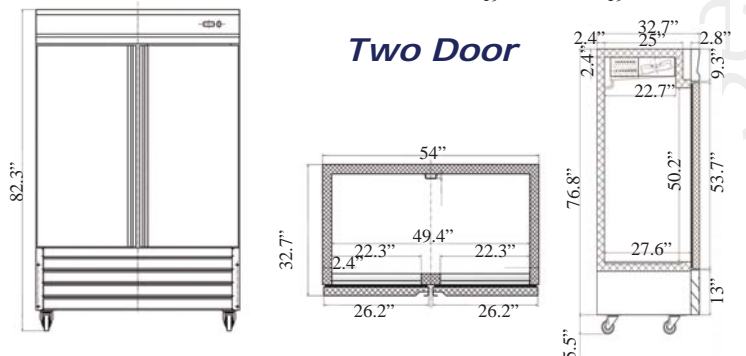
One Door



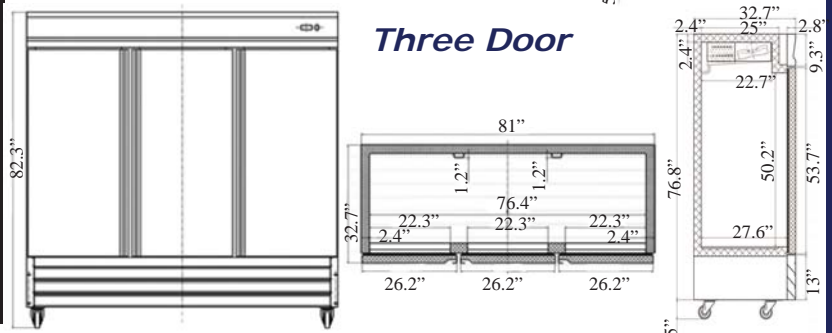
One Door



Two Door



Two Door



Three Door



Serv-Ware
www.servware.com

Phone: (800).768.5953

Revised 2/17

Fax: (800).976.1299

