

Item# _____
Project: _____
Qty: _____

Reach-In Freezer

RF-1-19
One Door Freezer



RF-1*
One Door Freezer



RF-2-35
One Door Freezer



RF-2*
Two Door Freezer



RF-3(DV)*
Three Door Freezer



Features

- Now with Stainless Steel Interior*
- Electronic Thermostat and Digital LED Temperature Display
- High Efficiency CFC Free Insulation
- Stainless Steel Front and Sides
- Self-Closing Doors with Full Length Handle, Remain Open Past 90°
- 3 Shelves Per Door
- Shipped with Casters Installed

Serv-Ware RR Series Freezers are UL Safety and UL Sanitation Approved.

Featured with an aluminum painted interior, heavy duty 202 series stainless steel floor, 304 stainless steel floor on models RF-1-19 and RF-2-35, 430 series stainless steel exterior door & front panel, self-closing lockable doors, digital controls with a LED readout and foamed in place polyurethane cell insulation. Unit is shipped with casters installed (2 Brake and 2 Non Brake).

The single door includes 3 epoxy coated wire shelves, the double door includes 6 epoxy coated wire shelves and the triple door includes 9 epoxy coated wire shelves, all with adjustable mounting brackets for greater flexibility.

The bottom mounted compressor designed to hold temperatures between -10° F and 0° F.

Conforms to UL471, CSA C22.2 and NSF 7 Standards.

Two Year - Parts & Labor on entire unit. Valid in United States
Three Year - Additional Compressor, Part Only



Serv-Ware
www.servware.com

Phone:(800).768.5953

Revised 2/17

Fax:(800).976.1299



Serv-Ware

Reach-In Freezer

RF-1-19 One Door

Exterior Dimensions	26.8" W x 25.6" D x 82.3" H
Net Volume	19 cu. ft.
Net Weight	291 lbs.
Exterior Material	430 Stainless Steel
Interior Material	Painted Aluminum
	304 S/S Floor
Insulation Material	CFC Free Foam
Shelf Material	Epoxy Coated Foam
Temperature	-10°F – 0°F
Refrigerant	R404A
Defrosting	Every 6 Hours
H/P	5/8
Voltage / Hz / Phase	115 / 60 / 1
Amps	11
Nema Plug	5-15P

RF-1 One Door

Exterior Dimensions	27" W x 33" D x 82.3" H
Net Volume	23 cu. ft.
Net Weight	320 lbs.
Exterior Material	430 Stainless Steel
Interior Material	Painted Aluminum
	202 S/S Floor
Insulation Material	CFC Free Foam
Shelf Material	Epoxy Coated Foam
Temperature	-10°F – 0°F
Refrigerant	R404A
Defrosting	Every 6 Hours
H/P	5/8
Voltage / Hz / Phase	115 / 60 / 1
Amps	11
Nema Plug	5-15P

RF-2-35 Two Door

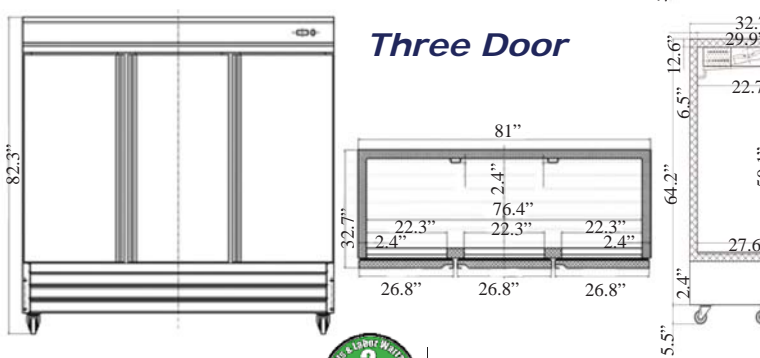
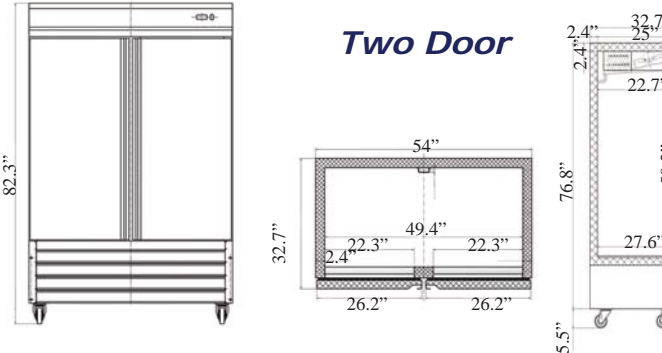
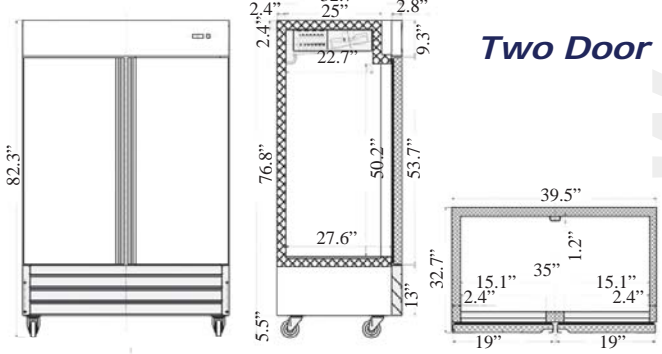
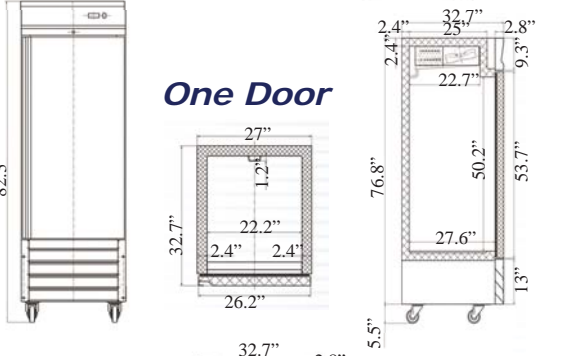
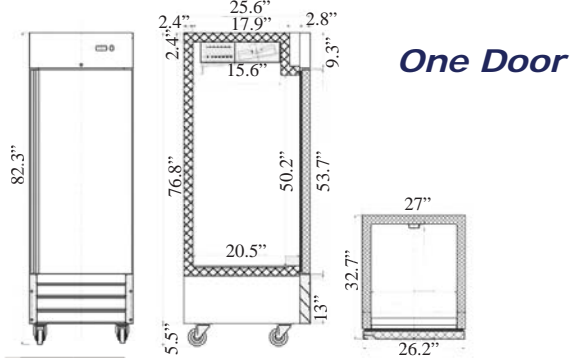
Exterior Dimensions	39.5" W x 32.7" D x 82.3" H
Net Volume	35 cu. ft.
Net Weight	441 lbs.
Exterior Material	430 Stainless Steel
Interior Material	Painted Aluminum
	304 S/S Floor
Insulation Material	CFC Free Foam
Shelf Material	Epoxy Coated Foam
Temperature	-10°F – 0°F
Refrigerant	R404A
Defrosting	Every 6 Hours
H/P	1
Voltage / Hz / Phase	115 / 60 / 1
Amps	12
Nema Plug	5-15P

RF-2 Two Door

Exterior Dimensions	54" W x 33" D x 82.3" H
Net Volume	49 cu. ft.
Net Weight	488 lbs.
Exterior Material	430 Stainless Steel
Interior Material	Painted Aluminum
	202 S/S Floor
Insulation Material	CFC Free Foam
Shelf Material	Epoxy Coated Foam
Temperature	-10°F – 0°F
Refrigerant	R404A
Defrosting	Every 6 Hours
H/P	1
Voltage / Hz / Phase	115 / 60 / 1
Amps	12
Nema Plug	5-15P

RF-3 Three Door

Exterior Dimensions	81" W x 33" D x 82.3" H
Net Volume	72 cu. ft.
Net Weight	706 lbs.
Exterior Material	430 Stainless Steel
Interior Material	Painted Aluminum
	202 S/S Floor
Insulation Material	CFC Free Foam
Shelf Material	Epoxy Coated Foam
Temperature	-10°F – 0°F
Refrigerant	R404A
Defrosting	Every 6 Hours
H/P	1-1/4
Voltage / Hz / Phase	110-230 / 60 / 1
Amps	16
Nema Plug	L14-20 P



Serv-Ware
www.servware.com

Phone: (800).768.5953

Revised 2/17

Fax: (800).976.1299

