

Item# \_\_\_\_\_  
Project: \_\_\_\_\_  
Qty: \_\_\_\_\_

# Gas Hot Plates



**SHP-12**

**SHP-24  
Not Pictured**



**SHP-36**

## Features

- 25,000 BTU per burner
- Durable, attractive, stainless steel construction
- Front edge is cool to the touch for safe cooking
- Octagonal burners provide even heat distribution
- Heavy-duty, cast iron grates for maximum heat distribution
- Full-length, seamless drip pan
- Adjustable pilots with front access
- Unit serviceable from the front
- Ships natural gas with an LP conversion kit
- Stainless steel legs have adjustable, non-skid feet

**One Year - Parts & Labor on entire unit. Valid in United States**



*Serv-Ware*  
[www.servware.com](http://www.servware.com)

Phone:(800).768.5953

Revised 2/17

Fax:(800).976.1299



Serv-Ware

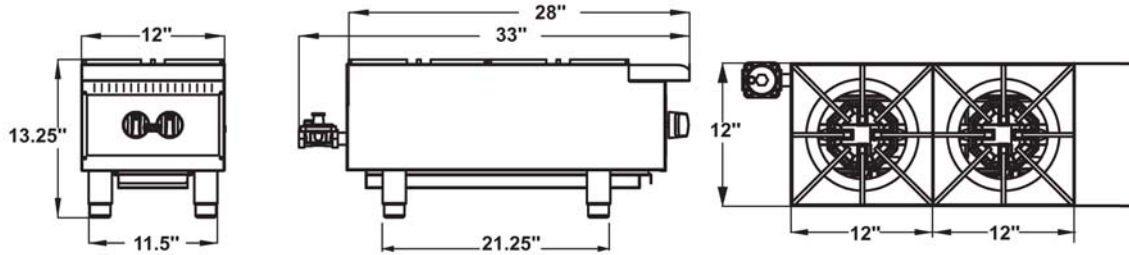
Item# \_\_\_\_\_

Project: \_\_\_\_\_

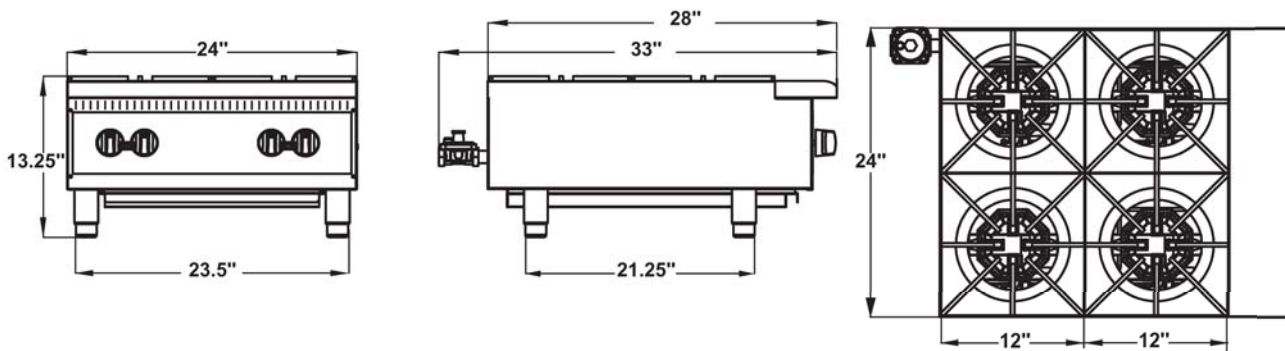
Qty: \_\_\_\_\_

# Gas Hot Plates

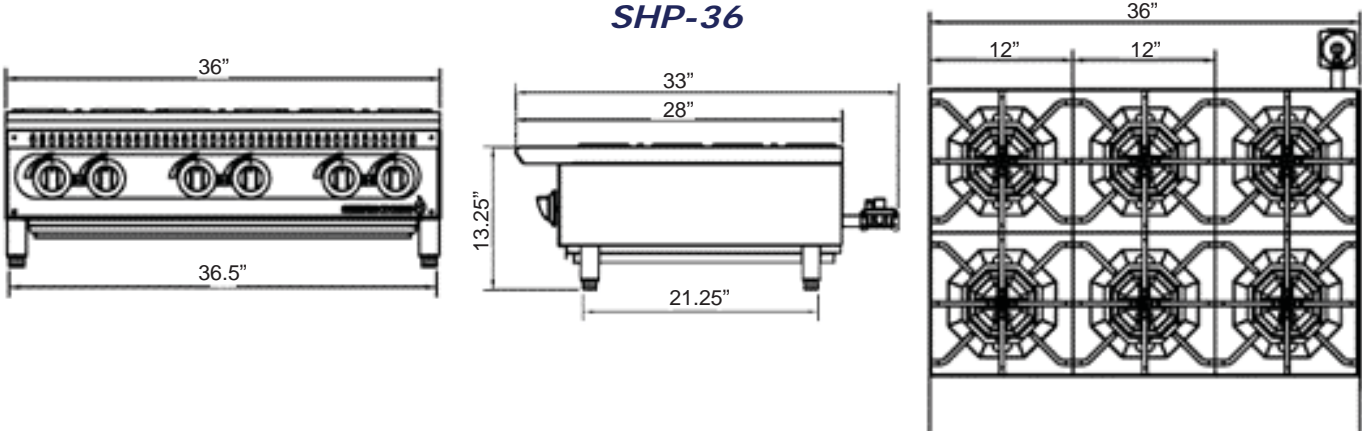
**SHP-12**



**SHP-24**



**SHP-36**



<b>Model</b>	<b>Description</b>	<b>Dimensions</b> (W x D x H)	<b>Weight / lbs.</b> (Shipping)
SHP-12	2 Burner	12" x 33" x 13.25"	72 lbs.
SHP-24	4 Burner	24" x 33" x 13.25"	157 lbs.
SHP-36	6 Burner	36" x 33" x 13.25"	186 lbs.



Serv-Ware  
[www.servware.com](http://www.servware.com)

Phone: (800).768.5953

Revised 2/17

Fax: (800).976.1299



SANITATION  
NSF / ANSI4

