

Item# \_\_\_\_\_  
Project: \_\_\_\_\_  
Qty: \_\_\_\_\_

# Manual Gas Griddles



**SMG-24**



**SMG-36**

**SMG-48**  
**Not Pictured**

## Features

- 30,000 BTU per burner provides perfect heat for perfect cooking
- Durable, attractive stainless steel construction
- Front edge is cool to the touch for safe cooking
- Steel U-style burner optimizes heat control & distribution
- ¾" Cold-rolled steel griddle plate for excellent heat distribution
- 3-¼" grease drawer can be easily removed
- Back & side splashes offer protection against nasty spills
- Flue on back of griddle for ample ventilation
- Weep hole on grease drawer for easy monitoring
- Manual controls for ease of use
- Pilots are easily adjustable with front access for quick lighting
- Unit serviceable from the front
- Stainless steel legs have adjustable non-skid feet

**One Year - Parts & Labor on entire unit. Valid in United States**



*Serv-Ware*  
[www.servware.com](http://www.servware.com)

Phone:(800).768.5953

Revised 2/17

Fax:(800).976.1299



Serv-Ware

Item# \_\_\_\_\_

Project: \_\_\_\_\_

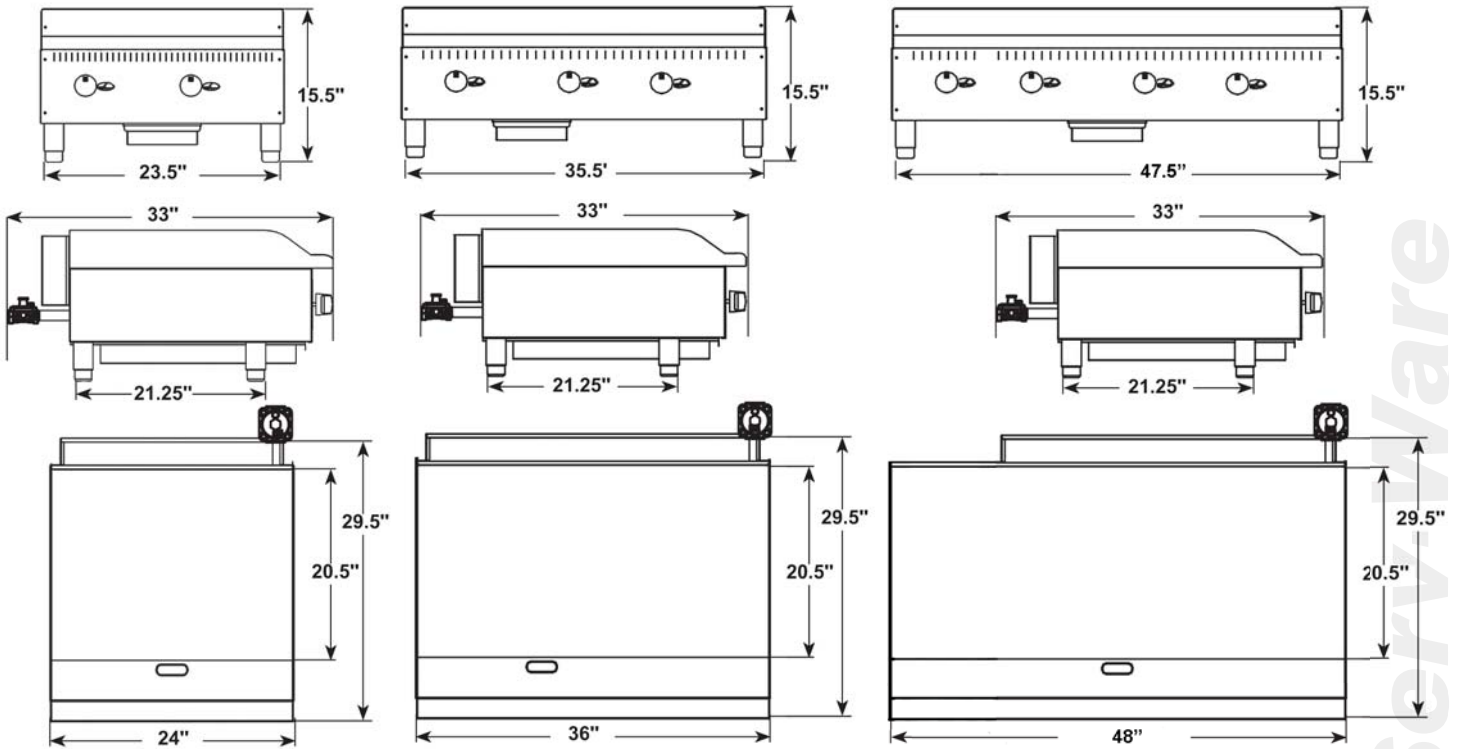
Qty: \_\_\_\_\_

# Manual Gas Griddles

**SMG-24**

**SMG-36**

**SMG-48**



**Model**

**Description**

**Dimensions**

**Weight / lbs.**

SMG-24  
SMG-36  
SMG-48

2 Burner  
3 Burner  
4 Burner

(W x D x H)  
24" x 33" x 15.5"  
36" x 33" x 15.5"  
48" x 33" x 15.5"

(Shipping)  
193 lbs.  
261 lbs.  
310 lbs.



Serv-Ware  
[www.servware.com](http://www.servware.com)

Phone: (800).768.5953

Revised 2/17

Fax: (800).976.1299



SANITATION  
NSF / ANSI4

