

Item# _____
Project: _____
Qty: _____

Gas Fryers

SGF-3 SGF-4



SGF-5



Features

- 30,000 BTU per tube
- Thermostat with a temperature range of 200°F to 400°F
- Stainless steel front, top & header
- Stainless steel door with integral liner & recessed handle
- Sides & back galvanized steel
- Stainless steel fry tank with peened finish
- Cold zone in fry tank
- Double-rod stainless steel basket hanger
- Two nickel chrome wire mesh fry baskets with black plastic coated handles
- 1-¼" full-port drain valve for easy cleaning
- All fryers have drain tube racks
- 6" stainless steel legs with 1" adjustability

One Year - Parts & Labor on entire unit. Valid in United States
Two Year - Pot Part Only Warranty



Serv-Ware
www.servware.com

Phone:(800).768.5953

Revised 2/17

Fax:(800).976.1299



SANITATION
NSF / ANSI4



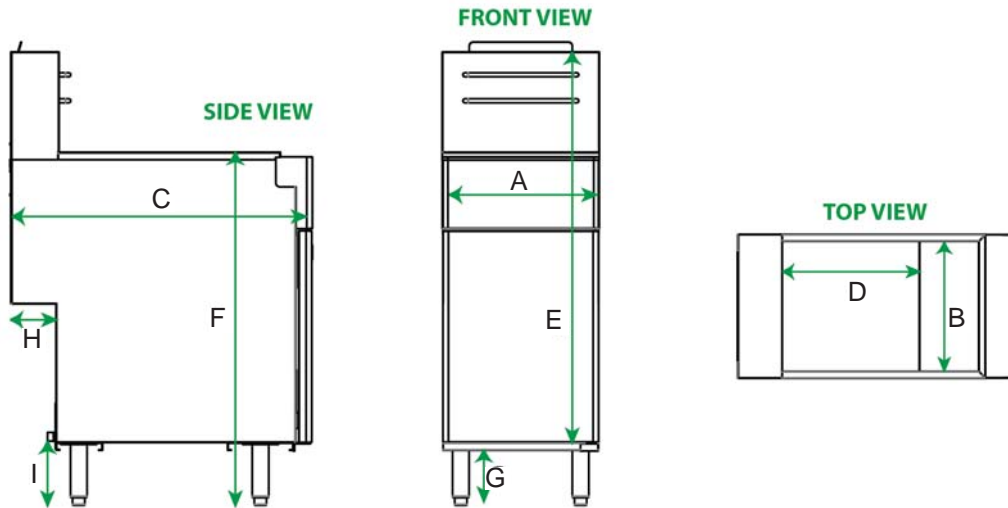
Serv-Ware

Item# _____

Project: _____

Qty: _____

Gas Fryers



Model	Description	Dimensions			Weight/lbs (Shipping)	
SGF-3N SGF-3L	3 Tube Natural 3 Tube LP	(D) 14"	(E) 47.2"	(F) 34.7" (G) 6"	(A) 15.5" (B) 14" (C) 30.3" 6.5" Caster	169 lbs.
		Clearance (H) 4.2" (I) 7"		Basket Dimensions 13.25" W x 6.5" D x 6" H		
SGF-4N SGF-4L	4 Tube Natural 4 Tube LP	(D) 14"	(E) 47.2"	(F) 34.7" (G) 6"	(A) 15.5" (B) 14" (C) 30.3"	183 lbs.
		Clearance (H) 4.2" (I) 7"		Basket Dimensions 13.25" W x 6.5" D x 6" H		
SGF-5N SGF-5L	5 Tube Natural 5 Tube LP	(D) 18"	(E) 47.2"	(F) 34.7" (G) 6"	(A) 21" (B) 18" (C) 34.3"	209 lbs.
		Clearance (H) 4.2" (I) 7"		Basket Dimensions 17.5" W x 9" D x 6" H		



Serv-Ware
www.servware.com

Phone:(800).768.5953

Revised 2/17

Fax:(800).976.1299



SANITATION
NSF / ANSI4

