

Item# _____
Project: _____
Qty: _____

Convection Ovens

SCO-1

SCO-2 Not Pictured



Features

Features & Benefits:

- 54,000 BTU per oven cavity
- Independent doors with windows
- Porcelain enamel oven interior
- 11-position interior rack guides
- Electronic ignition
- Digital thermostat & timer controls
- Temperature control range: pre-programmed 140-500°F
- Forced "cool down" fan mode
- Interior light
- Oven "ready" light
- Control panel: located on right side of oven, away from heat
- Control panel: removable & opens downward for easy servicing
- Exterior : stainless steel front & top, galvanized sides & back
- Single unit - legs with casters
- Double stack unit - stacking kit with casters

One Year - Parts & Labor on entire unit. Valid in United States



Serv-Ware
www.servware.com

Phone:(800).768.5953

Revised 3/17

Fax:(800).976.1299



SANITATION
NSF / ANSI4



Serv-Ware

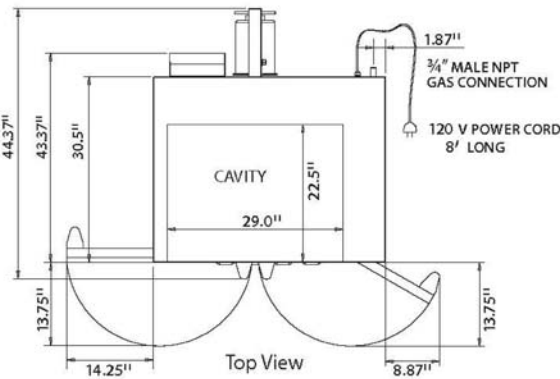
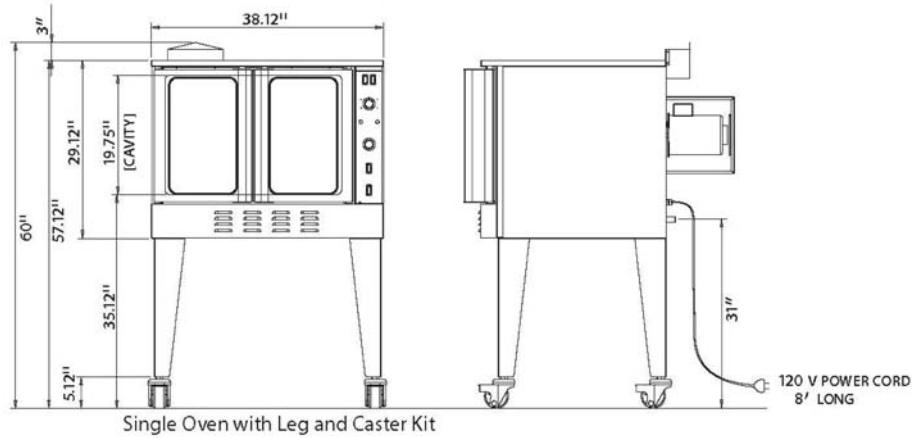
Item# _____

Project: _____

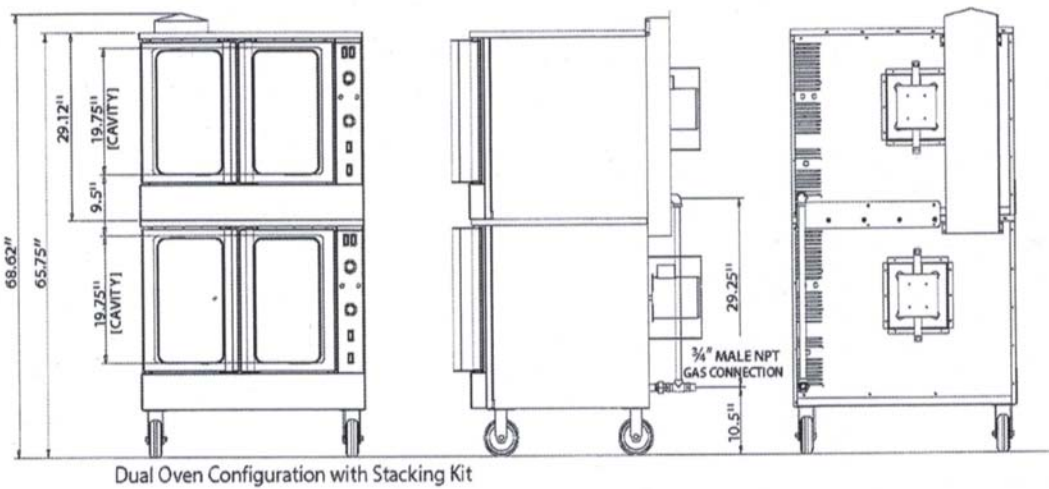
Qty: _____

Convection Ovens

SCO-1



SCO-2



Model	Description	Dimensions (W x D x H)	Weight / lbs. (Shipping)
SCO-1	Single Deck	38.12" x 44.37" x 60"	515
SCO-2	Double Deck	38.12" x 44.37" x 68.62"	1,030

Serv-Ware



Serv-Ware
www.servware.com

Phone: (800).768.5953

Revised 3/17

Fax: (800).976.1299



SANITATION
NSF / ANSI4

