

Item# \_\_\_\_\_  
Project: \_\_\_\_\_  
Qty: \_\_\_\_\_

# Clean Dish Table



Serv-Ware

## Features

- 304 Series Stainless Steel
- 16 Gauge Construction
- 4½" Backsplash (11" from Deck to Tile Edge)
- 1⅝" Galvanized Legs with Adjustable Feet
- Left and Right Models Available



Serv-Ware  
[www.servware.com](http://www.servware.com)

Phone:(800).768.5953

Fax:(800).976.1299

Revised 1/17

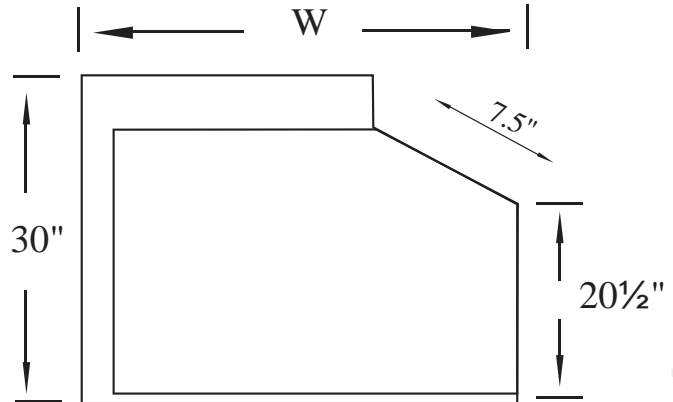
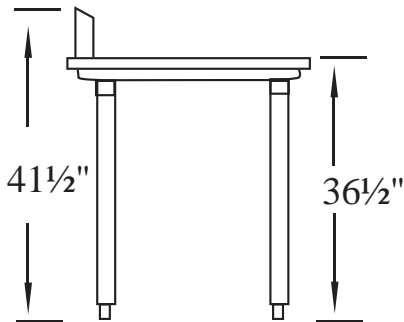


Item# \_\_\_\_\_

Project: \_\_\_\_\_

Qty: \_\_\_\_\_

# Clean Dish Table



Serv-Ware

**Left**

**Right**

**Width**

**Weight/lbs**  
(Shipping)

CDT24L-CWP	CDT24R-CWP	24"	32
CDT36L-CWP	CDT36R-CWP	36"	41
CDT48L-CWP	CDT48R-CWP	48"	53
CDT60L-CWP	CDT60R-CWP	60"	63
CDT72L-CWP	CDT72R-CWP	72"	72

\*S/S legs optional (STLS)



Serv-Ware  
[www.servware.com](http://www.servware.com)

Phone: (800).768.5953

Fax: (800).976.1299

Revised 1/17

