

Item# \_\_\_\_\_  
Project: \_\_\_\_\_  
Qty: \_\_\_\_\_

# Chef Base

**CB48**  
50"



**CB60**  
62"



**CB72**  
74"



Serv-Ware

## Features

- CFC Free Refrigerant and Foam
- Stainless Steel Framework Construction
- Electronic Thermostat and Digital LED Temperature Display
- Auto Defrosting and Auto Evaporation of Condensation
- Magnetic Gaskets
- 1 Year Parts & Labor Warranty. Additional 4 Year Compressor Part Warranty

**Two Year** - Parts & Labor on entire unit. Valid in United States  
**Three Year** - Additional Compressor, Part Only



Serv-Ware  
[www.servware.com](http://www.servware.com)

Phone:(800).768.5953

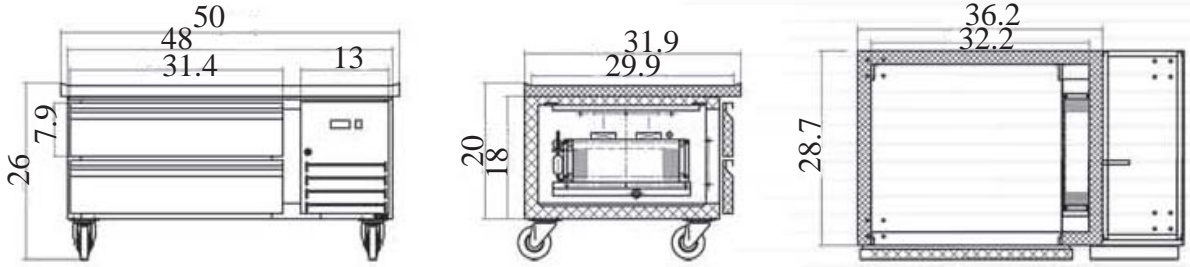
Revised 3/17

Fax:(800).976.1299

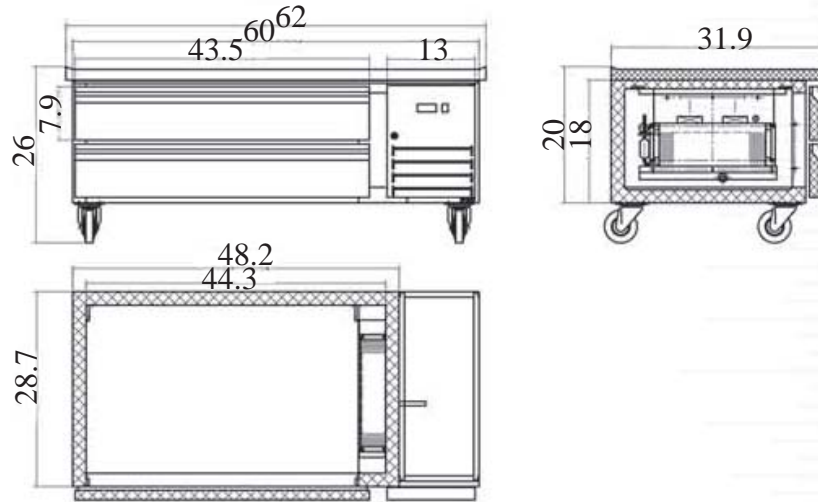


# Chef Base

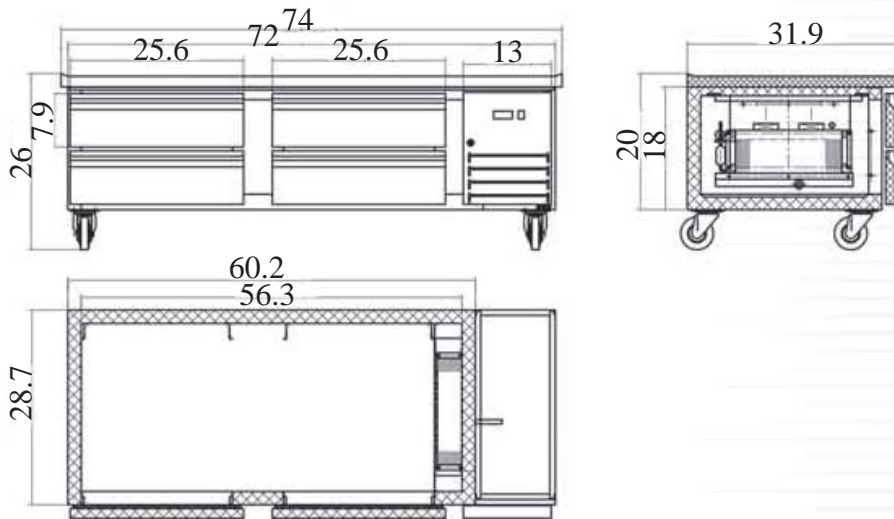
**CB48**  
50"



**CB60**  
62"



**CB72**  
74"



MODEL	EXTERNAL DIMENSION inch (W x D x H)	V/Hz/Ph	AMPS	TEMPERATURE	NEMA PLUG	DRAWERS	WEIGHT	Cubic Ft.
CB48	50" x 32" x 26"	115V/60Hz/1	6	33° F—41° F	5-15P	2	250	6.5
CB60	62" x 32" x 26"	115V/60Hz/1	6	33° F—41° F	5-15P	2	270	8.8
CB72	74" x 32" x 26"	115V/60Hz/1	6	33° F—41° F	5-15P	4	355	11.1



Serv-Ware  
www.servware.com

Phone: (800).768.5953

Revised 3/17

Fax: (800).976.1299

