

Item# _____
Project: _____
Qty: _____

Beer Dispenser

***DDBD1**
24 in.



DDBD2-1
49 in.



DDBD2-2
49 in.



DDBD3-1
60 in.



DDBD3-2
60 in.



DDBD4-2
73 in.



Features

- CFC Free Refrigerant & Foam
- Electronic Thermostat & Digital LED Temperature Display for Accurate Control & Easy Reading
- Self-Closing Door
- Stainless Steel Top
- INTERIOR: Stainless Steel, Bottom S/S 430
- EXTERIOR: Powder-Coated Steel Black
- * DDBD1 is Hydro Carbon R600a

Two Year - Parts & Labor on entire unit. Valid in United States
Three Year - Additional Compressor, Part Only



Serv-Ware
www.servware.com

Phone:(800).768.5953



Fax:(800).976.1299

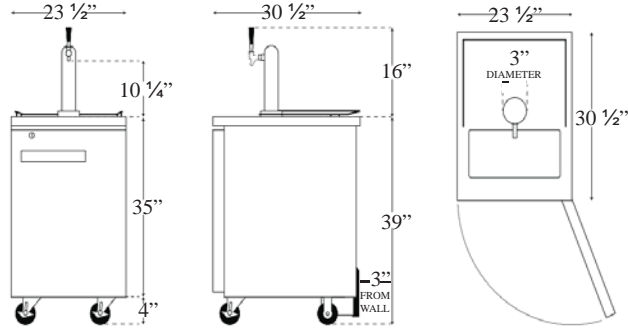


Revised 8/17

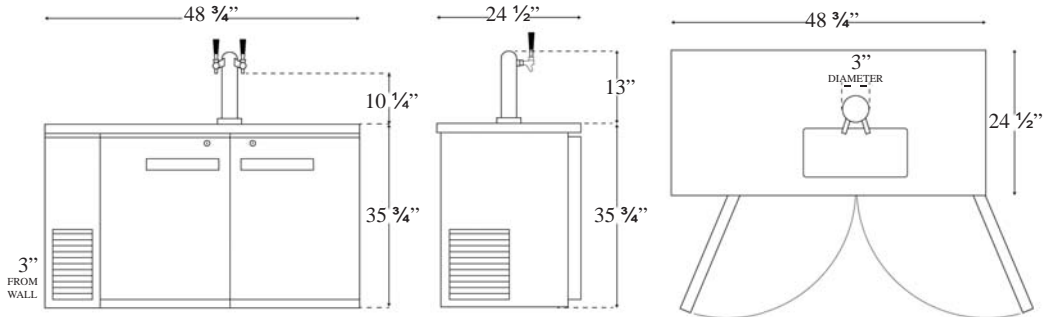
Item# _____
 Project: _____
 Qty: _____

Beer Dispenser

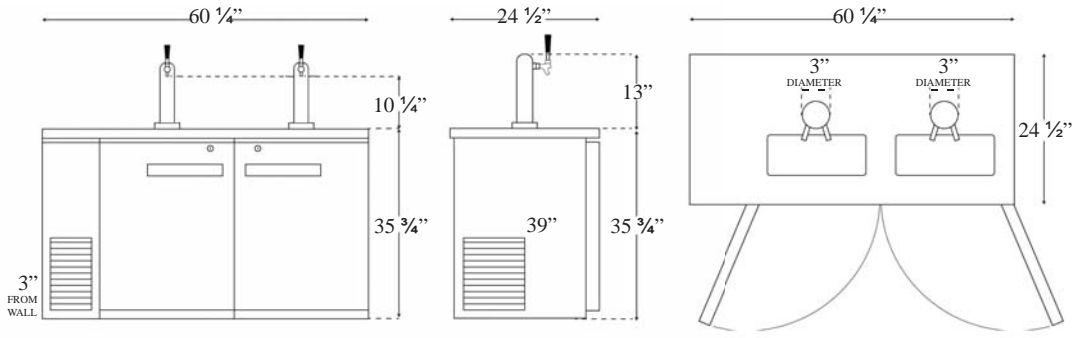
DDBD1
 24 in.
 (1 Tower, 1 Tap)



DDBD2-1
 49 in.
 (1 Tower, 2 Taps)
 SHOWN



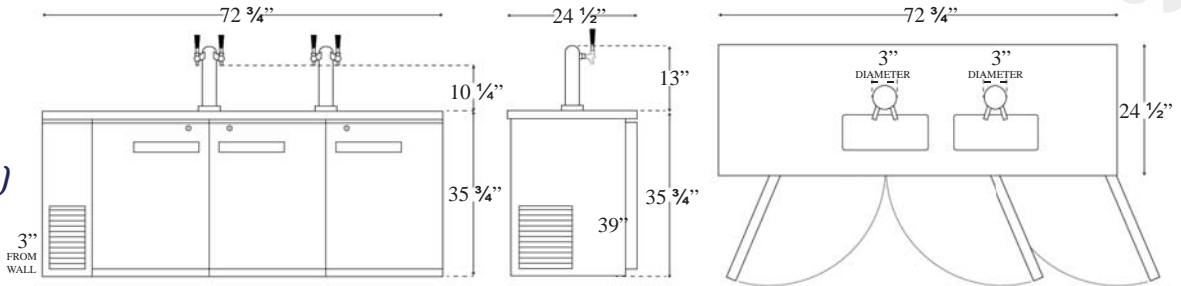
DDBD2-2
 49 in.
 (2 Towers, 1 Tap)



DDBD3-1
 60 in.
 (1 Tower, 2 Taps)

DDBD3-2
 60 in.
 (2 Towers, 1 Tap)
 SHOWN

DDBD4-2
 73 in.
 (2 Towers, 2 Taps)



MODEL	EXTERNAL DIMENSION inch (W x D x H)	V/Hz/Ph	AMPS	STORAGE CAPACITY Cu-ft	HP	TEMPERATURE	WEIGHT / LBS. (Shipping)
DDBD1	24.1" x 29.9" x 33.9"	120V/60Hz/1	1.7	6	1/5	33—41°F	132
DDBD2-1	49.1" x 24.4" x 36.2"	120V/60Hz/1	6.4	13	1/2	33—41°F	232
DDBD2-2	49.1" x 24.4" x 36.2"	115V/60Hz/1	6.4	18	1/3	33—41°F	232
DDBD3-1	61.1" x 24.4" x 36.2"	115V/60Hz/1	6.5	17	1/3	33—41°F	276
DDBD3-2	61.1" x 24.4" x 36.2"	115V/60Hz/1	6.4	17	1/3	33—41°F	276
DDBD4-2	73.1" x 24.4" x 36.2"	115V/60Hz/1	7.4	20	1/3	33—41°F	331



Serv-Ware
www.servware.com

Phone: (800).768.5953

Fax: (800).976.1299



Revised 8/17

Serv-Ware