

Item# _____
Project: _____
Qty: _____

3 Bowl Compact Sink Stainless Steel 18 Gauge



Serv-Ware

Features

- 18 Gauge, 304 Series Stainless Steel
- S/S Gussets, Legs, Cross-Bracing, and Foot Inserts
- Ideal for Convenient Store and Deli Style Applications



Serv-Ware
www.servware.com

Phone:(800).768.5953

Fax:(800).976.1299

Revised 1/17

304
Stainless Steel

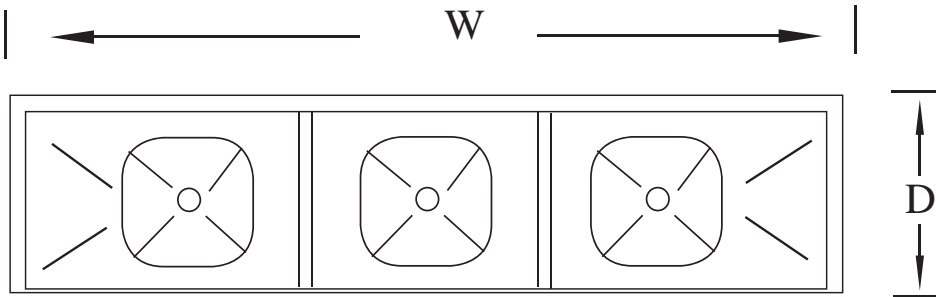
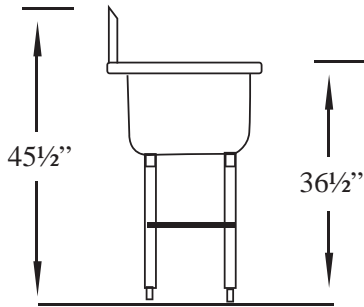


Item# _____

Project: _____

Qty: _____

3 Bowl Compact Sink Stainless Steel 18 Gauge



Serv-Ware

Model	Bowl Size (D x W)	Drain Boards	Bowl Depth	Size (W x D)	Weight/lbs (Shipping)
CS3CWP1410	14" x 10"	N/A	10"	39" x 19.5"	35
CS3CWP1410L12	14" x 10"	Left 12"	10"	48.5" x 19.5"	40
CS3CWP1410R12	14" x 10"	Right 12"	10"	48.5" x 19.5"	40
CS3CWP1410212	14" x 10"	Two 12"	10"	58" x 19.5"	45
CS3CWP1410218	14" x 10"	Two 18"	10"	70" x 19.5"	50
CS3CWP1614212	16" x 14"	Two 12"	11"	70" x 21.5"	60
CS3CWP2012212	20" x 12"	Two 12"	12"	64" x 25.5"	75



Serv-Ware
www.servware.com

Phone: (800).768.5953

Fax: (800).976.1299

Revised 1/17

